

Excellent Integrated System Limited

Stocking Distributor

Click to view price, real time Inventory, Delivery & Lifecycle Information:

[Phoenix Contact](#)
[1873032](#)

For any questions, you can email us directly:
sales@integrated-circuit.com



Extract from the online catalog

ZFKK 1,5-MSTBV-5,08-PE/F


Order No.: 1873032

The illustration shows a combination as a 10-position version



<http://eshop.phoenixcontact.de/phoenix/treeViewClick.do?UID=1873032>

Feed-through modular terminal block, Connection method: Spring-cage connection, Cross section: 0.2 mm² - 2.5 mm², Color: green-yellow, Mounting: NS 35/7.5

Commercial data	
GTIN (EAN)	 4 017918 142421
sales group	A216
Pack	50 pcs.
Customs tariff	85369010

Product notes

WEEE/RoHS-compliant since:
02/24/2006



<http://www.download.phoenixcontact.com>
 Please note that the data given here has been taken from the online catalog. For comprehensive information and data, please refer to the user documentation. The General Terms and Conditions of Use apply to Internet downloads.

Certificates / Approvals

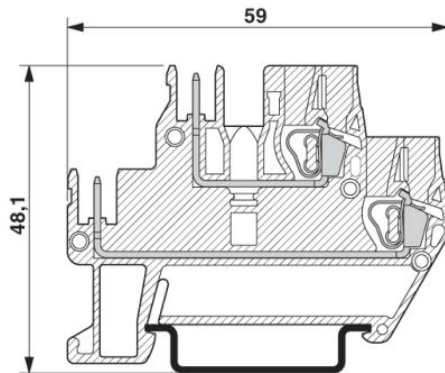
Certification CUL, UL

ZFKK 1,5-MSTBV-5,08-PE/F Order No.: 1873032

<http://eshop.phoenixcontact.de/phoenix/treeViewClick.do?UID=1873032>

Diagrams/Drawings

Dimensioned drawing



ZFKK 1,5-MSTBV-5,08-PE/F Order No.: 1873032
<http://eshop.phoenixcontact.de/phoenix/treeViewClick.do?UID=1873032>

Address

PHOENIX CONTACT Deutschland GmbH
Flachsmarktstr. 8
32825 Blomberg, Germany
Phone +49 5235 3 12000
Fax +49 5235 3 41200
<http://www.phoenixcontact.de>



© 2011 Phoenix Contact
Technical modifications reserved;