

Excellent Integrated System Limited

Stocking Distributor

Click to view price, real time Inventory, Delivery & Lifecycle Information:

[Phoenix Contact](#)
[1654895](#)

For any questions, you can email us directly:

sales@integrated-circuit.com



Extract from the online catalog

VS-PP-R-8XRJ45/5-LSA


Order No.: 1654895



<http://eshop.phoenixcontact.de/phoenix/treeViewClick.do?UID=1654895>

RJ45 patch panel, DIN rail mounting, IP20, eight slots, LSA connection, CAT5e, shielding over jumper can be selected

Commercial data

GTIN (EAN)	 4 046356 028868
sales group	D552
Pack	1 pcs.
Customs tariff	85366990
Catalog page information	Page 198 (PC-2009)

Product notes

WEEE/RoHS-compliant since:
12/11/2006



<http://www.download.phoenixcontact.com>
Please note that the data given here has been taken from the online catalog. For comprehensive information and data, please refer to the user documentation. The General Terms and Conditions of Use apply to Internet downloads.

Technical data

Mechanical characteristics

Number of positions	8
Number of slots	8
Insertion/withdrawal cycles	≥ 200
Type of connection	LSA-PLUS
Conductor cross-section	0.14 mm ² ... 0.34 mm ² (solid)

VS-PP-R-8XRJ45/5-LSA Order No.: 1654895
<http://eshop.phoenixcontact.de/phoenix/treeViewClick.do?UID=1654895>

Connection cross-section AWG	26 ... 22 (solid)
External cable diameter	5 mm ... 8.5 mm
Color	green
Ambient temperature (operation)	0 °C ... 70 °C

Material data

Inflammability class acc. to UL 94	V0
Housing material	PC
Contact carrier material	PBT
Contact material	Copper alloy
Contact surface material	Gold over nickel
Degree of protection	IP20

Electrical characteristics

Number of positions	8
Transmission characteristics (category)	CAT5 (IEC 11801:2002), CAT5e (TIA 568B:2001)
Rated current	1 A

Accessories

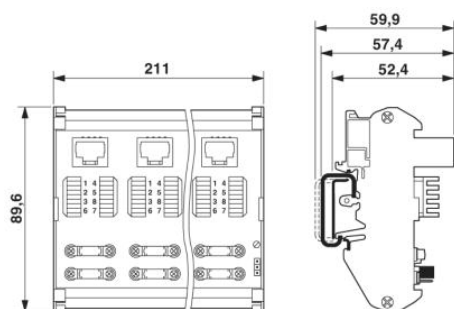
Item	Designation	Description
2765505	CT-WZ/A	Split-core tool for connecting cables to LSA-Plus strips

Tools

1657407	VS-CABLE-STRIP-VARIO	Stripping tool, for the multi-level stripping of shielded cables
---------	----------------------	--

Diagrams/Drawings

Dimensioned drawing



Patch panel with eight RJ45 connections

VS-PP-R-8XRJ45/5-LSA Order No.: 1654895

<http://eshop.phoenixcontact.de/phoenix/treeViewClick.do?UID=1654895>

Address

PHOENIX CONTACT Deutschland GmbH
Flachsmarktstr. 8
32825 Blomberg, Germany
Phone +49 5235 3 12000
Fax +49 5235 3 41200
<http://www.phoenixcontact.de>



© 2011 Phoenix Contact
Technical modifications reserved;