

Excellent Integrated System Limited

Stocking Distributor

Click to view price, real time Inventory, Delivery & Lifecycle Information:

[Phoenix Contact](#)
[2817149](#)

For any questions, you can email us directly:

sales@integrated-circuit.com

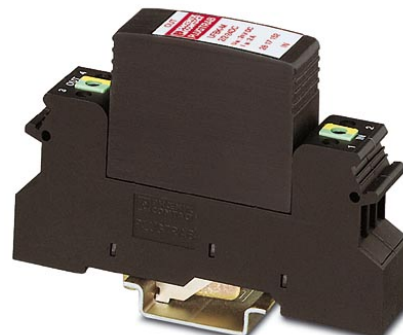


Extract from the online catalog

UFBK-M 2/2- 24AC-ST


Discontinued item

Order No.: 2817149



<http://eshop.phoenixcontact.de/phoenix/treeViewClick.do?UID=2817149>

Protective plug UFBK-M with protective circuit for 2 conductors of signal circuits grounded on one side. Nominal voltage: 24 V AC

| Commercial data | |
|-----------------|--|
| GTIN (EAN) |  4 017918 129897 |
| Note | Made-to-order |
| sales group | J221 |
| Pack | 10 pcs. |
| Customs tariff | 85363010 |

Product notes

WEEE/RoHS-compliant since:
07/20/2006



<http://www.download.phoenixcontact.com>
 Please note that the data given here has been taken from the online catalog. For comprehensive information and data, please refer to the user documentation. The General Terms and Conditions of Use apply to Internet downloads.

Technical data

| General | |
|--|-------------------|
| Housing material | PA |
| Inflammability class acc. to UL 94 | V2 |
| Ambient temperature (operation) | -40 °C ... 80 °C |
| Degree of protection | IP20 |
| Arrester can be tested with TT-Tester from software version: | From SW rev. 6.00 |

UFBK-M 2/2- 24AC-ST Order No.: 2817149

<http://eshop.phoenixcontact.de/phoenix/treeViewClick.do?UID=2817149>

| | |
|--|-------------------|
| Arrester can be tested with CHECKMASTER from software version: | From SW rev. 1.00 |
| Pitch unit | 1 Div. |

Protective circuit

| | |
|---|--|
| Nominal voltage U_N | 24 V AC |
| Nominal current I_N | 2 A |
| Operating effective current I_C at U_C | 100 μ A |
| Nominal discharge surge current I_n (8/20) μ s (Core-Core) | 10 kA |
| Nominal discharge surge current I_n (8/20) μ s (Core-Earth) | 10 kA |
| Output voltage limitation at 1 kV/ μ s (Core-Earth) static | (<1,8 U_{max}) |
| Response time t_A (Core-Earth) | ≤ 1 ns |
| Resistance in series | < 100 m Ω (Path 1-3) < 100 m Ω (Path 2-4) |

Connection data

| | |
|--|---------------------|
| Type of connection | Screw connection |
| Screw thread | M3 |
| Stripping length | 8 mm |
| Conductor cross section stranded min. | 0.2 mm ² |
| Conductor cross section stranded max. | 2.5 mm ² |
| Conductor cross section solid min. | 0.2 mm ² |
| Conductor cross section solid max. | 4 mm ² |
| Conductor cross section AWG/kcmil min. | 24 |
| Conductor cross section AWG/kcmil max | 12 |

Certificates / Approvals


Certification

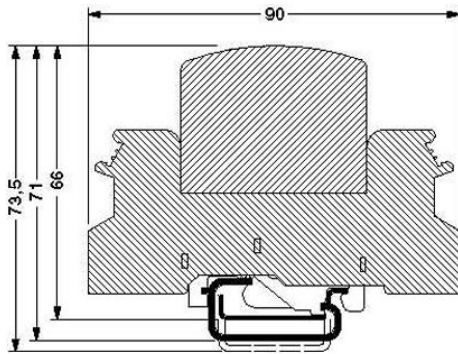
GOST

UFBK-M 2/2- 24AC-ST Order No.: 2817149

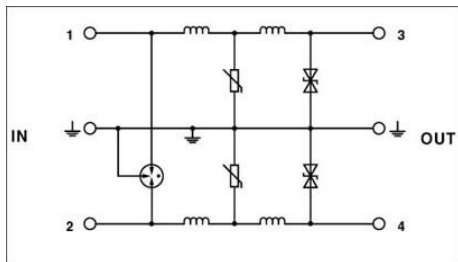
<http://eshop.phoenixcontact.de/phoenix/treeViewClick.do?UID=2817149>

Diagrams/Drawings

Dimensioned drawing



Circuit diagram



UFBK-M 2/2- 24AC-ST Order No.: 2817149

<http://eshop.phoenixcontact.de/phoenix/treeViewClick.do?UID=2817149>

Address

PHOENIX CONTACT Deutschland GmbH
Flachsmarktstr. 8
32825 Blomberg, Germany
Phone +49 5235 3 12000
Fax +49 5235 3 41200
<http://www.phoenixcontact.de>



© 2011 Phoenix Contact
Technical modifications reserved;