

## Excellent Integrated System Limited

Stocking Distributor

Click to view price, real time Inventory, Delivery & Lifecycle Information:

[Phoenix Contact](#)  
[1853243](#)

For any questions, you can email us directly:  
[sales@integrated-circuit.com](mailto:sales@integrated-circuit.com)



Extract from the online catalog


## VC-AR4-EMV

Order No.: 1853243



<http://eshop.phoenixcontact.de/phoenix/treeViewClick.do?UID=1853243>

EMC shield adapter, for EMC plug connector, type 4, number of insert modules 5

Commercial data	
GTIN (EAN)	 4 017918 127121
sales group	D200
Pack	5 pcs.
Customs tariff	85389099
Catalog page information	Page 360 (PC-2009)

### Product notes

WEEE/RoHS-compliant since:  
11/17/2006



<http://www.download.phoenixcontact.com>  
 Please note that the data given here has been taken from the online catalog. For comprehensive information and data, please refer to the user documentation. The General Terms and Conditions of Use apply to Internet downloads.

## Technical data

General data	
Note	For painted surfaces with conductive panel cutout
Design	VC4

VC-AR4-EMV Order No.: 1853243  
<http://eshop.phoenixcontact.de/phoenix/treeViewClick.do?UID=1853243>

**Material data**

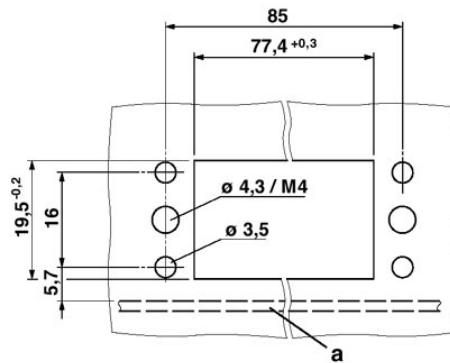
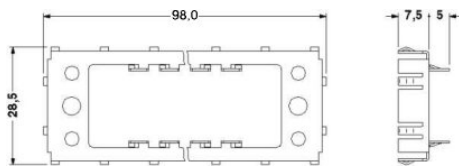
Contact material	CuZn
Contact surface material	Nickel-plated

**Certificates / Approvals**

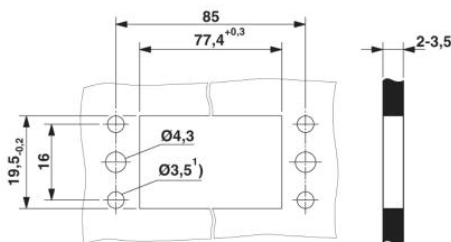
Certification CUL, GOST, UL

**Diagrams/Drawings**

Dimensioned drawing



a - PCB



VC-AR4-EMV Order No.: 1853243

<http://eshop.phoenixcontact.de/phoenix/treeViewClick.do?UID=1853243>

---

#### Address

PHOENIX CONTACT Deutschland GmbH  
Flachsmarktstr. 8  
32825 Blomberg, Germany  
Phone +49 5235 3 12000  
Fax +49 5235 3 41200  
<http://www.phoenixcontact.de>



© 2011 Phoenix Contact  
Technical modifications reserved;