

Excellent Integrated System Limited

Stocking Distributor

Click to view price, real time Inventory, Delivery & Lifecycle Information:

[Phoenix Contact](#)
[2858959](#)

For any questions, you can email us directly:
sales@integrated-circuit.com



Extract from the online catalog

VAL-MS 230/3+1/FM-UD

Order No.: 2858959


The illustration shows the version VAL-MS 120/3+1/FM-UD



<http://eshop.phoenixcontact.de/phoenix/treeViewClick.do?UID=2858959>

Surge voltage arrester 4-channel, for mounting on NS 35/7.5, with remote indicator contact. 230 V AC

Commercial data

GTIN (EAN)	 4 017918 916350
sales group	J022
Pack	1 pcs.
Customs tariff	85363030

Product notes

WEEE/RoHS-compliant since:
05/11/2006



<http://www.download.phoenixcontact.com>
 Please note that the data given here has been taken from the online catalog. For comprehensive information and data, please refer to the user documentation. The General Terms and Conditions of Use apply to Internet downloads.

Technical data

Standards

Housing material	PBT / PA
Inflammability class acc. to UL 94	V0
Color	black
Standards for air and creepage distances	DIN EN 60664-1

VAL-MS 230/3+1/FM-UD Order No.: 2858959
<http://eshop.phoenixcontact.de/phoenix/treeViewClick.do?UID=2858959>

Degree of protection	IP20
Mounting type	DIN rail: 35 mm
Design	DIN rail module, two-section, divisible
Number of positions	4
Ambient temperature (operation)	-40 °C ... 80 °C
Message: Surge protection fault	Optical, remote indicator contact
Direction of action	3L-N & N-PE
Width	70.80 mm
Height	65.50 mm
Length	96.80 mm

Protective circuit

IEC category	II
	T2
EN type	T2
Nominal voltage U_N	230 V AC (400 V AC)
	400 V AC
	230 V AC ... 415 V AC
Arrester rated voltage U_C	275 V AC
Arrester rated voltage U_C (L-N)	275 V AC
Arrester rated voltage U_C (N-PE)	260 V AC
U_T (TOV-proof)	335 V AC (5 s / L-N)
	1200 V AC (200 ms / N-PE)
Nominal frequency f_N	50 Hz (60 Hz)
Ground conductor current I_{PE}	$\leq 1 \mu A$
Standby power consumption P_C	$\leq 360 \text{ mVA}$
Max. discharge surge current I_{max} (8/20) μs	40 kA
Max. discharge surge current I_{max} (8/20) μs maximum (L-N)	40 kA
Max. discharge surge current I_{max} (8/20) μs maximum (L-PE)	40 kA
Max. discharge surge current I_{max} (8/20) μs maximum (N-PE)	40 kA
Nominal discharge surge current I_n (8/20) μs (L-N)	20 kA
Nominal discharge surge current I_n (8/20) μs (L- PE)	20 kA
Nominal discharge surge current I_n (8/20) μs (N- PE)	20 kA

VAL-MS 230/3+1/FM-UD Order No.: 2858959

<http://eshop.phoenixcontact.de/phoenix/treeViewClick.do?UID=2858959>

Lightning test current (10/350) μ s, peak value I_{imp}	12 kA (N-PE)
Impulse operate voltage at 6 kV (1.2/50) μ s (N-PE)	≤ 1.5 kV
Protection level U_p (L-N)	≤ 1.35 kV
Protection level U_p (L-PE)	≤ 1.6 kV
Protection level U_p (N-PE)	≤ 1.5 kV
Residual voltage (L-N)	≤ 1.35 kV (at I_n)
	≤ 1.2 kV (at 10 kA)
	≤ 1.1 kV (at 5 kA)
	≤ 0.95 kV (at 3 kA)
Residual voltage (L-PE)	≤ 1.6 kV (at I_n)
	≤ 1.35 kV (at 10 kA)
	≤ 1.2 kV (at 5 kA)
	≤ 1 kV (at 3 kA)
Residual voltage (N-PE)	≤ 0.4 kV (at I_n)
	≤ 0.25 kV (at 10 kA)
	≤ 0.15 kV (at 5 kA)
	≤ 0.1 kV (at 3 kA)
Clamping voltage SVR (L-N)	≤ 0.9 kV (6kV - 500 A)
Clamping voltage SVR (L-PE)	≤ 1.2 kV (6kV - 500 A)
Clamping voltage SVR (N-PE)	≤ 1 kV (6kV - 500 A)
Response time (L-N)	≤ 25 ns
Response time (L-PE)	≤ 100 ns
Response time (N-PE)	≤ 100 ns
Max. required backup fuse with branch wiring	125 A (gL)
Short-circuit resistance I_p with max. backup fuse (effective)	25 kA
Follow current quenching capacity I_f (N-PE)	100 A (260 V)

Connection, protective circuit

Type of connection	Screw connection
Connection type IN	Biconnect screw terminal block
Connection type OUT	Biconnect screw terminal block
Screw thread	M5
Tightening torque	4.5 Nm
Stripping length	14.5 mm
Conductor cross section stranded min.	0.5 mm ²

VAL-MS 230/3+1/FM-UD Order No.: 2858959
<http://eshop.phoenixcontact.de/phoenix/treeViewClick.do?UID=2858959>

Conductor cross section stranded max.	25 mm ²
Conductor cross section solid min.	0.5 mm ²
Conductor cross section solid max.	35 mm ²
Conductor cross section AWG/kcmil min.	20
Conductor cross section AWG/kcmil max	2

Remote indicator contact

Connection name	Remote fault indicator contact
Switching function	PDT contact
Type of connection	Screw connection
Screw thread	M2
Tightening torque	0.25 Nm
Stripping length	7 mm
Conductor cross section stranded min.	1.5 mm ²
Conductor cross section stranded max.	0.14 mm ²
Conductor cross section solid min.	1.5 mm ²
Conductor cross section solid max.	0.14 mm ²
Conductor cross section AWG/kcmil min.	28
Conductor cross section AWG/kcmil max	16
Maximum operating voltage U _{max} AC	250 V AC
Maximum operating voltage U _{max} DC	125 V DC
Max. operating current I _{max}	0.75 A AC (250 V AC)
	3 A AC (125 V AC)
	2 A DC (30 V DC)
Min. permissible switching capacity	0.12 VA (12 V, 10 mA)

Standards

Standards/regulations	IEC 61643-1 2005
	DIN EN 61643-11/A11 2007
	DIN EN 61643-11 2002

Certificates / Approvals


Certification

GOST, KEMA

VAL-MS 230/3+1/FM-UD Order No.: 2858959
<http://eshop.phoenixcontact.de/phoenix/treeViewClick.do?UID=2858959>

Accessories

Item	Designation	Description
------	-------------	-------------

Bridges

2809283	MPB 18/4- 8	Wiring bridge for modules with connecting pitch 17.5 mm, 4-phase, 8-pos.
2809296	MPB 18/4-12	Wiring bridge for modules with connecting pitch 17.5 mm, 4-phase, 12-pos.

General

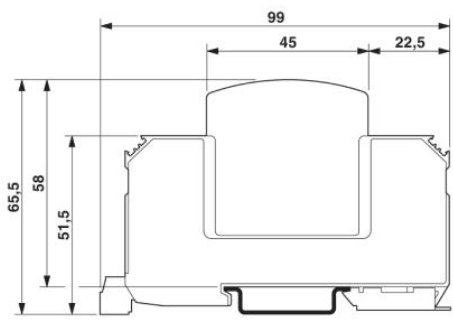
2749880	DK-BIC-35	Feed-through terminal block for VAL and FLT applications
2817990	F-MS 12 ST	Surge protection plug type 2, with N-PE total current spark gap for base element.

Marking

1051993	B-STIFT	Marker pen, for manual labeling of unprinted Zack strips, smear-proof and waterproof, line thickness 0.5 mm
2749589	ZBN 18,LGS:ERDE	Marking labels, printed horizontally, strips with 5 labels, GND (grounding symbol), color: White
2749576	ZBN 18,LGS:L1-N,ERDE	Marker labels, printed horizontally, strips with 5 labels, L1, L2, L3, N, GND, color: white
0800763	ZBN 18:SO/CMS	Marker labels, 5-section, special printing, labeled according to customer requirements (Please specify the required marking with order), for terminal width: 17.5 mm, color: White
2809128	ZBN 18:UNBEDRUCKT	Unprinted marker labels, strips with 5 labels for individual labeling with M-PEN or CMS system, for terminal block width: 17.5 mm, color: White

Diagrams/Drawings

Dimensioned drawing



VAL-MS 230/3+1/FM-UD Order No.: 2858959

<http://eshop.phoenixcontact.de/phoenix/treeViewClick.do?UID=2858959>

Address

PHOENIX CONTACT Deutschland GmbH
Flachsmarktstr. 8
32825 Blomberg, Germany
Phone +49 5235 3 12000
Fax +49 5235 3 41200
<http://www.phoenixcontact.de>



© 2011 Phoenix Contact
Technical modifications reserved;