

Excellent Integrated System Limited

Stocking Distributor

Click to view price, real time Inventory, Delivery & Lifecycle Information:

[Phoenix Contact](#)
[1655797](#)

For any questions, you can email us directly:

sales@integrated-circuit.com



Extract from the online catalog

VS-04-2X2X26C7/7-SDA/OE/5,0

Order No.: 1655797



<http://eshop.phoenixcontact.de/phoenix/treeViewClick.do?UID=1655797>

Assembled USB cable, shielded, color: RAL 5021 (water blue), PUR outer sheath, USB type A/standard on open cable end, length: 5 m

Commercial data	
GTIN (EAN)	 4 017918 993887
Note	Made-to-order
sales group	D532
Pack	1 pcs.
Customs tariff	85444290
Catalog page information	Page 311 (PC-2009)

Product notes

WEEE/RoHS-compliant since:
03/15/2007



<http://www.download.phoenixcontact.com>
Please note that the data given here has been taken from the online catalog. For comprehensive information and data, please refer to the user documentation. The General Terms and Conditions of Use apply to Internet downloads.

Technical data

Mechanical characteristics

Number of positions	4
Shielded	Yes
Insertion/withdrawal cycles	≥ 500

VS-04-2X2X26C7/7-SDA/OE/5,0 Order No.: 1655797

<http://eshop.phoenixcontact.de/phoenix/treeViewClick.do?UID=1655797>

External cable diameter	6.7 mm
Cable diameter	6.70 mm
Cable structure	2x2xAWG26/7 + 2xAWG20/19; S/FTP
Length of cable	5 m
Ambient temperature (operation)	-20 °C ... 60 °C (cable, fixed installation)
	0 °C ... 50 °C (cable, flexible installation)
	(Male connector / female connector)

Material data

Housing material	PA
Outer sheath, material	PUR
External sheath, color	water blue RAL 5021
Degree of protection	IP20

Electrical characteristics

Rated voltage (III/3)	125 V
Rated current	1 A
Transmission characteristics (category)	USB 2.0

Line characteristics

Cable type	FireWire
Conductor cross section	0.14 mm ² (signal line)
	0.5 mm ² (Power supply)
AWG signal line	26
Conductor structure signal line	7x 0.15 mm
AWG power supply	20
Conductor structure, voltage supply	19x 0.20 mm
Core diameter including insulation	1 mm (signal line)
External cable diameter	6.70 mm
Wire colors	White-blue, white-orange, gray, black
External sheath, color	water blue RAL 5021
Insulation resistance	5 GΩ*km
Conductor resistance	150 mΩ/m
Transmission characteristics (category)	CAT7, for USB 2.0 (480 Mbps)
Working capacitance	42 pF
Wave impedance	100 Ω ±5% (signal line)
Signal speed	0.72 c

VS-04-2X2X26C7/7-SDA/OE/5,0 Order No.: 1655797

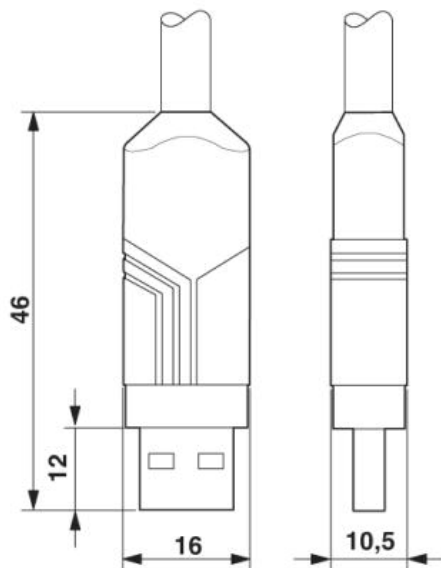
<http://eshop.phoenixcontact.de/phoenix/treeViewClick.do?UID=1655797>

Signal runtime	46 ns/m
Shield attenuation	60 dB (Up to 1000 MHz)
Interference suppression	90 dB (Up to 1000 MHz)
Nominal voltage, conductor	125 V
Test voltage, conductor	1000 V
Twisted pairs	2 cores to the pair
Type of pair shielding	Aluminum-lined polyester foil
Overall twist	Two pairs and two power supply wires to the core
Shielding	Braided shielding made of galvanized copper wires
Optical shield covering	65 %
Outer sheath, material	PUR
Material conductor insulation	Cell PE (signal line) PVC (Power supply)
Conductor material	Bare Cu litz wires
Cable weight	56 kg/km
Smallest bending radius, fixed installation	≥ 35 mm
Smallest bending radius, movable installation	≥ 35 mm
Ambient temperature (operation)	-20 °C ... 60 °C (cable, fixed installation) 0 °C ... 50 °C (cable, flexible installation)

Diagrams/Drawings

Dimensioned drawing

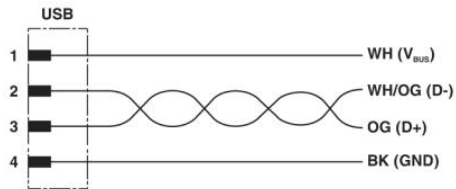
USB plug connector, type A, Standard



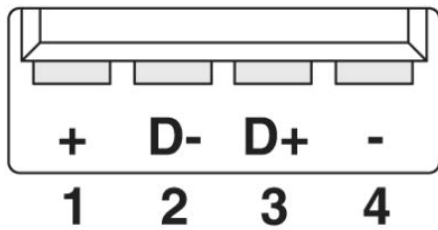
VS-04-2X2X26C7/7-SDA/OE/5,0 Order No.: 1655797

<http://eshop.phoenixcontact.de/phoenix/treeViewClick.do?UID=1655797>

Circuit diagram



Schematic diagram



Pin assignment plug USB, type A

VS-04-2X2X26C7/7-SDA/OE/5,0 Order No.: 1655797

<http://eshop.phoenixcontact.de/phoenix/treeViewClick.do?UID=1655797>

Address

PHOENIX CONTACT Deutschland GmbH
Flachsmarktstr. 8
32825 Blomberg, Germany
Phone +49 5235 3 12000
Fax +49 5235 3 41200
<http://www.phoenixcontact.de>



© 2011 Phoenix Contact
Technical modifications reserved;