

Excellent Integrated System Limited

Stocking Distributor

Click to view price, real time Inventory, Delivery & Lifecycle Information:

[Phoenix Contact](#)
[2302353](#)

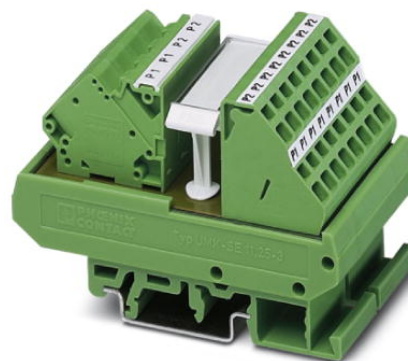
For any questions, you can email us directly:
sales@integrated-circuit.com



Extract from the online catalog

UMK- PVB 2/16/ZFKDS


Order No.: 2302353



<http://eshop.phoenixcontact.de/phoenix/treeViewClick.do?UID=2302353>

VARIOFACE module, with two equipotential busbars (P1, P2) for potential distribution, for mounting on NS 32 or on NS 35/7.5



Commercial data	
GTIN (EAN)	 4 017918 880552
sales group	I110
Pack	1 pcs.
Customs tariff	85369010
Catalog page information	Page 297 (IF-2009)

Product notes

WEEE/RoHS-compliant since:
11/30/2006



<http://www.download.phoenixcontact.com>
 Please note that the data given here has been taken from the online catalog. For comprehensive information and data, please refer to the user documentation. The General Terms and Conditions of Use apply to Internet downloads.

Technical data

General data

Nominal voltage U_N	250 V AC/DC
Width	45 mm
Height	77 mm

UMK- PVB 2/16/ZFKDS Order No.: 2302353

<http://eshop.phoenixcontact.de/phoenix/treeViewClick.do?UID=2302353>

Depth	52 mm
Ambient temperature (operation)	-20 °C ... 50 °C
Ambient temperature (storage/transport)	-20 °C ... 70 °C
Mounting position	Any
Name	Air and creepage distances in a circuit
Standards/regulations	DIN EN 50178
Rated surge voltage / insulation	2.3 kV / basic insulation
Rated insulation voltage	260 V AC
Pollution degree	2
Surge voltage category	II

Connection data, supply

Conductor cross section solid min.	0.2 mm ²
Conductor cross section solid max.	6 mm ²
Conductor cross section stranded min.	0.2 mm ²
Conductor cross section stranded max.	4 mm ²
Conductor cross section AWG/kcmil min.	24
Conductor cross section AWG/kcmil max	10
Type of connection	Spring-cage connection
Stripping length	8 mm

Connection data, distribution

Conductor cross section solid min.	0.2 mm ²
Conductor cross section solid max.	4 mm ²
Conductor cross section stranded min.	0.2 mm ²
Conductor cross section stranded max.	2.5 mm ²
Conductor cross section AWG/kcmil min.	24
Conductor cross section AWG/kcmil max	12
Stripping length	8 mm

Certificates / Approvals



Certification

CUL, GOST, UL

UMK- PVB 2/16/ZFKDS Order No.: 2302353

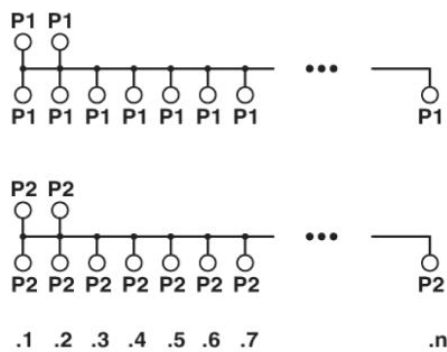
<http://eshop.phoenixcontact.de/phoenix/treeViewClick.do?UID=2302353>

Accessories

Item	Designation	Description
Tools		
1204517	SZF 1-0,6X3,5	Actuation tool, for ST terminal blocks, also suitable for use as a bladed screwdriver, size: 0.6 x 3.5 x 100 mm, 2-component grip, with non-slip grip

Diagrams/Drawings

Circuit diagram



UMK- PVB 2/16/ZFKDS Order No.: 2302353

<http://eshop.phoenixcontact.de/phoenix/treeViewClick.do?UID=2302353>

Address

PHOENIX CONTACT Deutschland GmbH
Flachsmarktstr. 8
32825 Blomberg, Germany
Phone +49 5235 3 12000
Fax +49 5235 3 41200
<http://www.phoenixcontact.de>



© 2011 Phoenix Contact
Technical modifications reserved;