

Excellent Integrated System Limited

Stocking Distributor

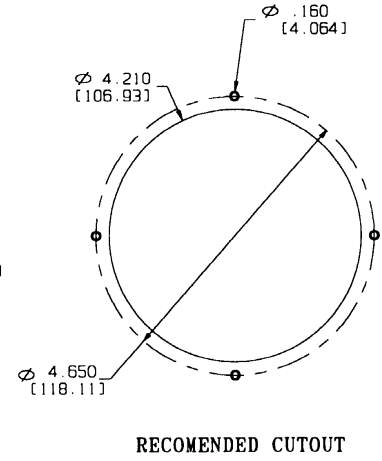
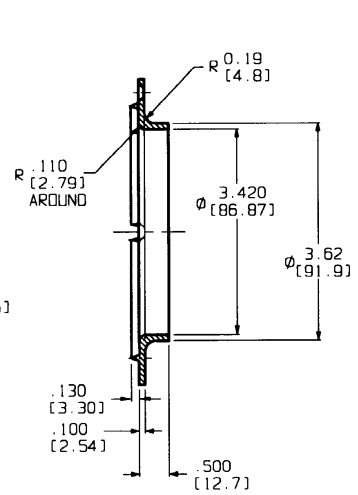
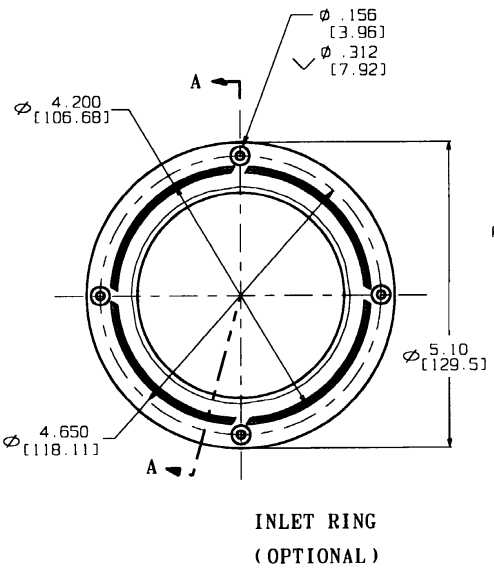
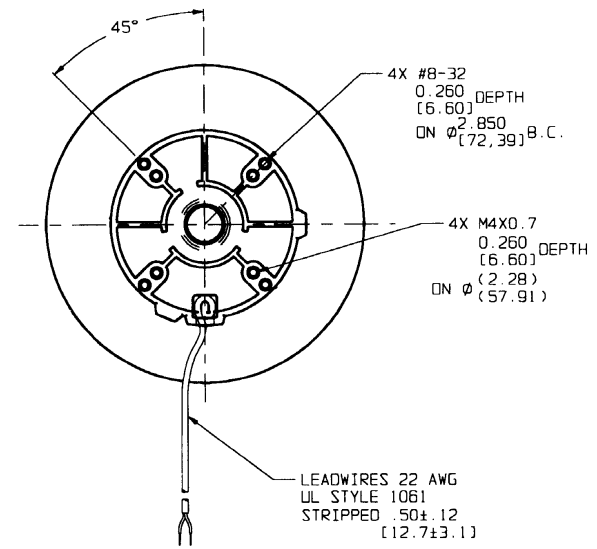
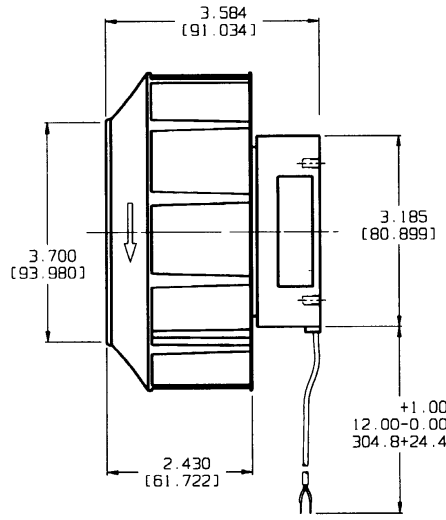
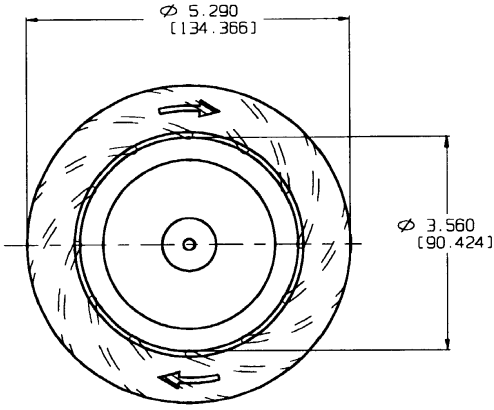
Click to view price, real time Inventory, Delivery & Lifecycle Information:

[Comair Rotron](#)
[19031605A](#)

For any questions, you can email us directly:
sales@integrated-circuit.com



Distributor of Comair Rotron : Excellent Integrated System Limited
 Datasheet of 19031605A - FAN IMP MTRZD 133X91MM DDF24B1



DIMENSIONS: $\frac{in}{mm} \pm$
 TOLERANCES: .XX = $\frac{.03}{0.8}$
 .XXX = $\frac{.010}{.25}$
 ANGULAR $\pm 5^\circ$
 (UNLESS NOTED)