

Excellent Integrated System Limited

Stocking Distributor

Click to view price, real time Inventory, Delivery & Lifecycle Information:

[Comair Rotron](#)
[19031520A](#)

For any questions, you can email us directly:

sales@integrated-circuit.com

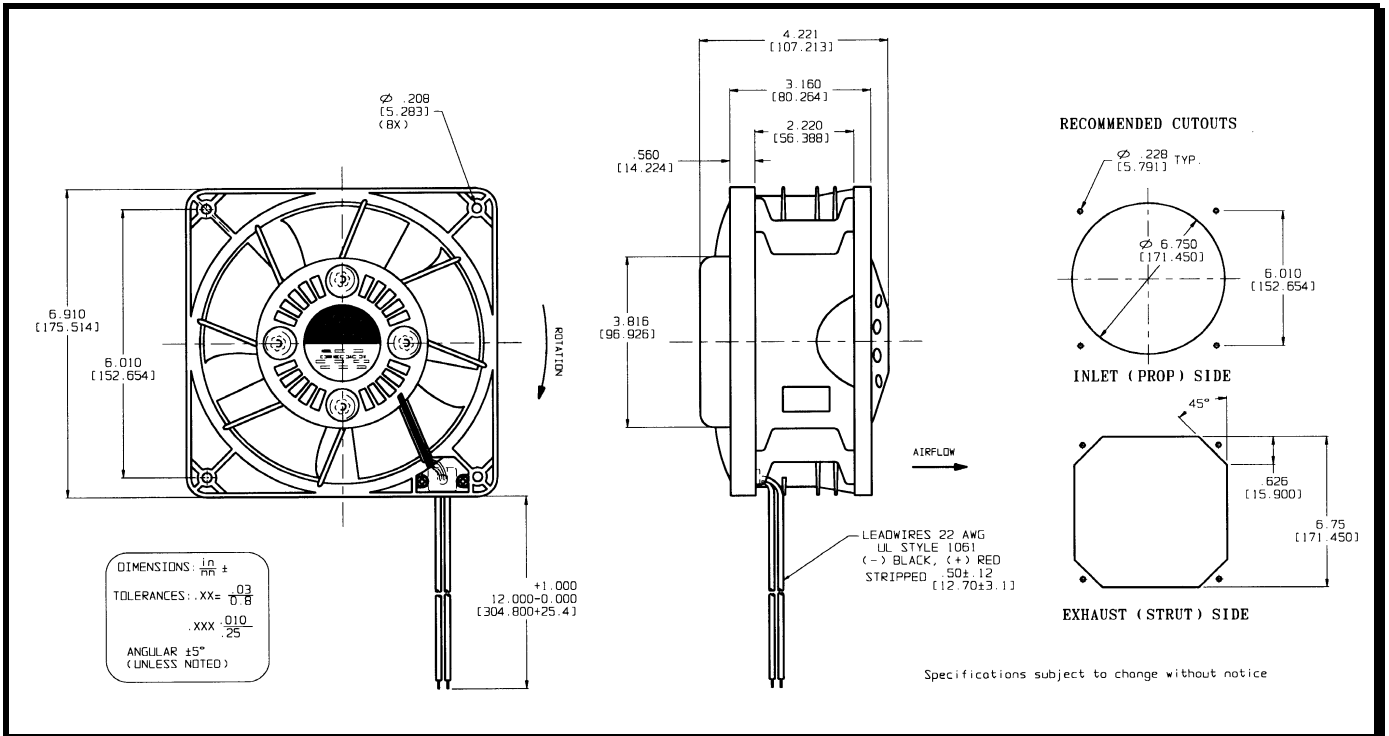
SPECIFICATIONS

Model Number: TD48B1
Part Number: 19031520A

August 15, 2005



Mechanical Drawing:



Motor:

Nominal Voltage = 48 vdc
 Operating Voltage Range = 24– 56 vdc
 Locked Rotor Current = 1.5 amps
 Nominal Running Current = 0.700 amps
 Running Power = 33.6 watts
 Average Speed = 3275 rpm
 Bearings = Ball
 Air Flow = 155 cfm
 Noise = 65.2 dBA

Construction:

Venturi: Plastic, Black, UL94V-0
 Propeller: Plastic, Black, UL94V-0

Life Expectancy:

This fan is designed for continuous duty life of 35,000 hours at 40°C

Additional Features:

Brushless DC Motor
 Polarity Protected
 Locked Rotor Protection
 Automatic Restart Capability
 Operating Temperature: -10°C to +70°C
 Storage Temperature: -40°C to +85°C

Propeller Rotation:

Clockwise: Intake over Struts

Termination:

12" Lead-wires, AWG 22, UL 1061
 Red = Power (+)
 Black = Return (-)

Agency Approvals:

UL, CUL