

Excellent Integrated System Limited

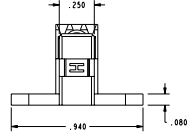
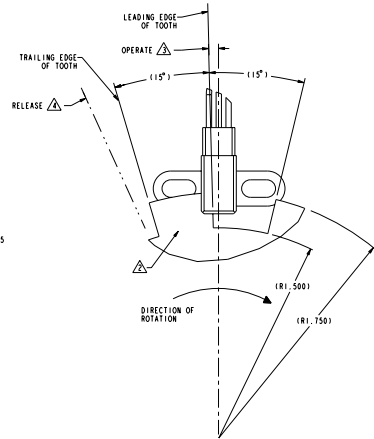
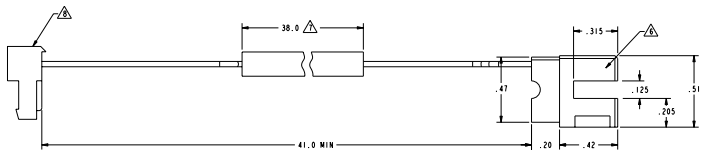
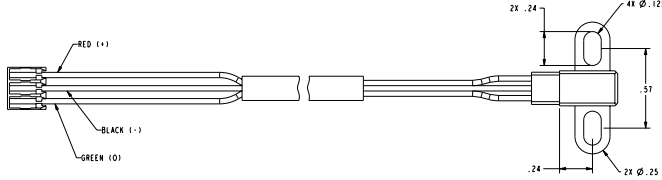
Stocking Distributor

Click to view price, real time Inventory, Delivery & Lifecycle Information:

[Honeywell Sensing and Productivity Solutions](#)
[SR17C-J7](#)

For any questions, you can email us directly:

sales@integrated-circuit.com



ELECTRICAL CHARACTERISTICS	
CONDITION	
SPECIFIED VOLTAGE RANGE	3.8 TO 30 VDC
MAX I _{OFF}	V _{CC} =30V, I _{SEN} =20mA, -20°C<T<+85°C, B _{MAX} OP 9.0 mA
MAX I _{ON}	V _{CC} =30V, I _{SEN} =20mA, -20°C<T<+85°C, B _{MAX} OP 10.0 mA
RATED SINK CURRENT	20 mA
MAX V _{OUT}	V _{CC} =3.0V, I _{SEN} =20mA, B _{MAX} OP 0.4 V
MAX LEAKAGE CURRENT	V _{OUT} =30V, V _{CC} =24V, B _{MIN} REL 10 µA
RISE TIME 100 TO 900	T ₂₅ °C, V _{CC} =12V, R _{EXT} =8 KΩ, C ₂ =20pF 1.5 µS
FALL TIME 900 TO 100	T ₂₅ °C, V _{CC} =12V, R _{EXT} =8 KΩ, C ₂ =20pF 1.5 µS

OPERATING SPECIFICATION	
LIMIT	CONDITIONS
OPERATE	1.5°±2.0° TARGET ENGAGEMENT -150 TO +300 RPM 0 TO 5000
RELEASE	3.0°±2.5° SLOT DEPTH .250 MIN

ABSOLUTE MAXIMUM RATINGS	
TEMPERATURE	-20°C TO +85°C
SUPPLY VOLTAGE (V _{CC})	3.8 VDC TO 30 VDC
VOLTAGE EXTERNALLY APPLIED TO OUTPUT	-0.5 TO +30 VDC
OUTPUT CURRENT	50 mA
MAGNETIC FLUX	NO LIMIT; CIRCUIT CANNOT BE DAMAGED BY MAGNETIC OVERDRIVE

- NOTES
- 1 MOUNTING SPECIFICATION: NON-FERROUS #4 MACHINE HEAD SCREWS WITH .25 OD WASHERS TORQUED TO 3-5 INCH LBS.
 - 2 SUGGESTED TARGET CONFIGURATION, MATERIAL: .045 LOW CARBON STEEL, HIGH PERMEABILITY, LOW RESIDUAL INDUCTION
 - 3 OPERATE (DEGREES) IS THE ANGULAR DISTANCE FROM THE LEADING EDGE OF THE TOOTH TO THE CENTERLINE OF THE SENSOR
 - 4 RELEASE (DEGREES) IS THE ANGULAR DISTANCE FROM THE TRAILING EDGE OF THE TOOTH TO THE CENTERLINE OF THE SENSOR
 - 5 OPERATING SPECIFICATION IS BASED ON TARGET SHOWN AND WILL VARY WITH TARGET GEOMETRY
 - 6 HONEYWELL PART NUMBER AND DATE CODE, ANY SURFACE
 - 7 BLACK PVC JACKET
 - 8 AMP CONNECTOR P/N 640442-3 (FOR 26 ANG)

SHEET SYMBOL		REV	DATE	BY	CHKD	APP'D	DATE	BY	CHKD	APP'D	DATE
SPECIFIED TOLERANCES ARE		±.001	±.002	±.005	±.010	±.015	±.020	±.030	±.040	±.050	±.100
NO PLACE	1	±.001	±.002	±.005	±.010	±.015	±.020	±.030	±.040	±.050	±.100
ONE PLACE	1	±.010	±.020	±.050	±.010	±.015	±.020	±.030	±.040	±.050	±.100
TWO PLACE	1	±.005	±.010	±.020	±.005	±.010	±.015	±.020	±.030	±.040	±.050
THREE PLACE	1	±.002	±.005	±.010	±.002	±.005	±.010	±.015	±.020	±.030	±.050
FOUR PLACE	1	±.001	±.002	±.005	±.001	±.002	±.005	±.010	±.015	±.020	±.050
DRAWING COVERS A PROPRIETARY DESIGN AND IS THE PROPERTY OF HONEYWELL. THIS DRAWING IS NOT TO BE COPIED OR USED WITHOUT THE PERMISSION OF HONEYWELL.											
THIRD ANGLE PROJECTION											
DIMENSIONS ARE TO BE MET UNLESS OTHERWISE SPECIFIED											
PROTECTIVE COATINGS ARE APPLIED											
PTC 30 ASME Y14.5M-1994 SCALE 3:1 WEIGHT SHEET 1 OF 1											

Honeywell
Sensing and Control

VANE SENSOR (MAGNETIC)
SR17C-J7