

Excellent Integrated System Limited

Stocking Distributor

Click to view price, real time Inventory, Delivery & Lifecycle Information:

[Hammond Manufacturing](#)
[CMR3BK1](#)

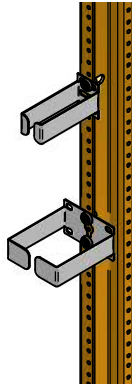
For any questions, you can email us directly:

sales@integrated-circuit.com

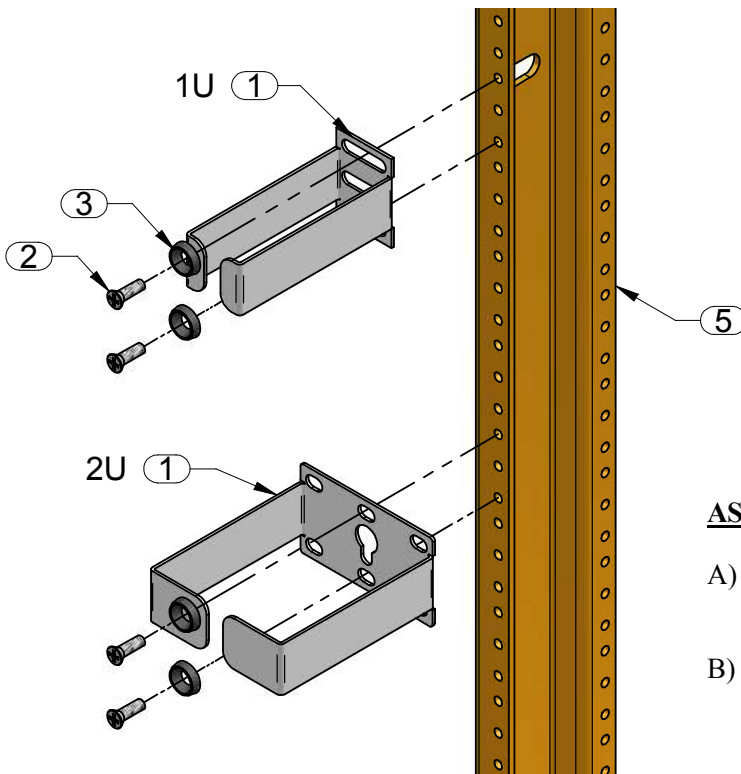
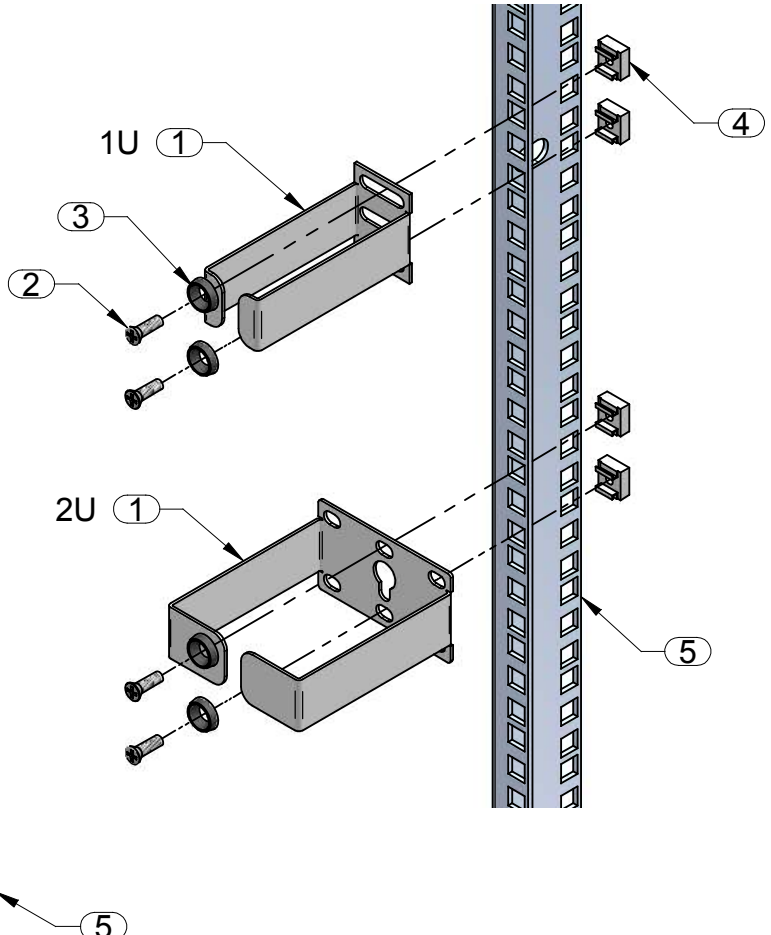
CMR - SERIES

ASSEMBLY INSTRUCTIONS FOR SINGLE CABLE RING

BUL10366
REV. A
PAGE 1 OF 1



COMPLETE ASSEMBLY



ASSEMBLY INSTRUCTIONS:

- Select the height at which to mount the single cable ring (item 1) on the combination rail (item 5).
- If mounting rails have square cutouts insert 2 cage nuts (item 4) at desired height. This can be done using a cage nut insertion tool.
- Line up the mounting slots on the single cable ring (item 1) with holes on the combination rail (item 5). Using 4 screws and washers (items 2 & 3) purchased for the combination rail secure the single cable ring to the combination rail.

PARTS LIST

ITEM No.	DESCRIPTION	QTY
1	SINGLE CABLE RING (1U OR 2U)	1
2	SCREWS (NOT INCLUDED)	4
3	WASHERS (NOT INCLUDED)	4
4	CAGE NUTS (NOT INCLUDED)	4
5	COMBINATION RAILS (NOT INCLUDED)	1

TOOL BOX



#2 Phillips Head
Screw Driver

