

Excellent Integrated System Limited

Stocking Distributor

Click to view price, real time Inventory, Delivery & Lifecycle Information:

[Hammond Manufacturing](#)
[CPR77SZPL](#)

For any questions, you can email us directly:

sales@integrated-circuit.com

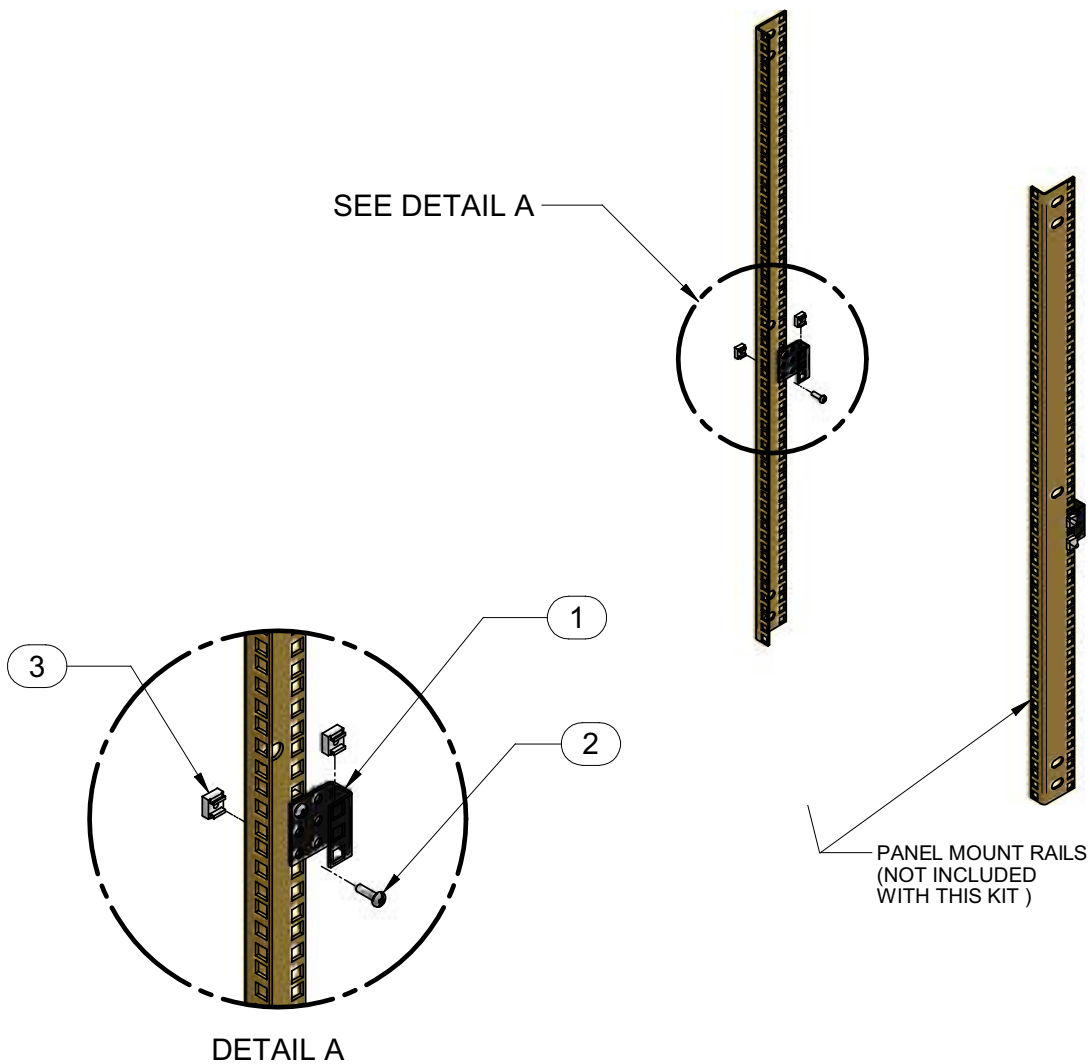
CPR - SERIES

ASSEMBLY INSTRUCTIONS FOR PANEL RAIL SHELF ADAPTER

BUL10338

REV. A

PAGE 1 OF 1



ASSEMBLY INSTRUCTIONS:

- 1) INSTALL CAGE NUTS INTO PANEL RAILS AT DESIRED LOCATIONS FOR MOUNTING ADAPTERS.
- 2) FASTEN ADAPTERS IN PLACE USING 10-32 SCREWS SUPPLIED.
- 3) INSTALL CAGE NUTS INTO ADAPTERS AT DESIRED LOCATION FOR MOUNTING ACCESSORY.

ITEM	QTY.	DESCRIPTION
1	4	PANEL RAIL SHELF ADAPTER
2	12	10-32 X 5/8" LG SCREW
3	12	10-32 CAGE NUT

TOOL BOX	Phillips Screw Driver
