

## Excellent Integrated System Limited

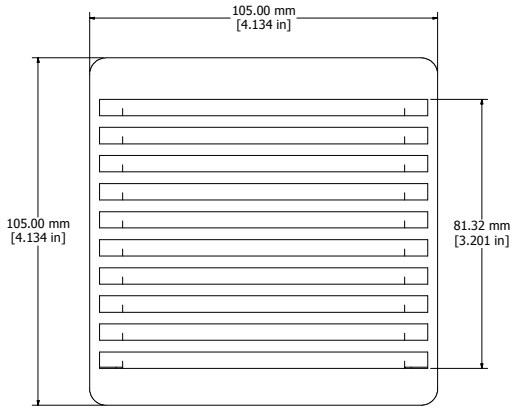
Stocking Distributor

Click to view price, real time Inventory, Delivery & Lifecycle Information:

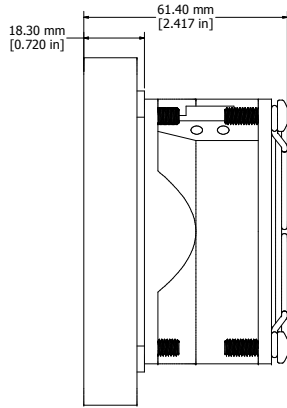
[Hammond Manufacturing](#)  
[DNFF080BK230](#)

For any questions, you can email us directly:

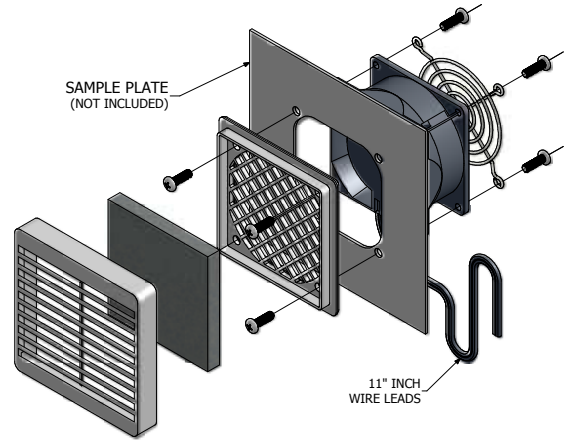
[sales@integrated-circuit.com](mailto:sales@integrated-circuit.com)



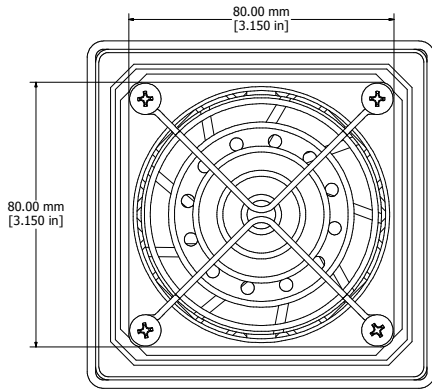
ASSEMBLY - VIEW FROM FRONT



ASSEMBLY - VIEW FROM SIDE



EXPLODED ISOMETRIC VIEW



ASSEMBLY - VIEW FROM BACK

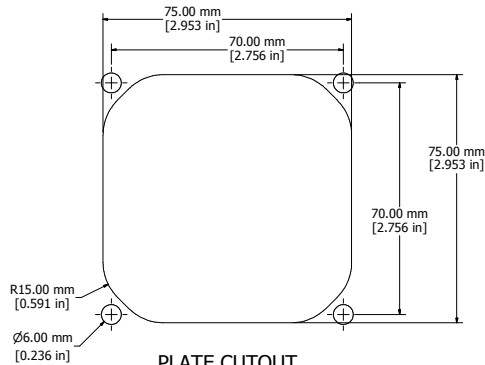


PLATE CUTOUT

<b>DNFF080**230</b>
Finish - Front Screen - ABS Plastic
- Back Panel - ABS Plastic
Rated - 230 VAC, 50/60 Hz, 0.05 Amps
Free Flow Air Delivery - 32 CFM
<b>Colours</b>
DNFF080BK230 - Black
DNFF080CG230 - Gray/Beige
DNFF080GY230 - Gray
DNFF080LG230 - Light Gray
<b>Hardware</b>
8 Screws - Panhead Self-Tapping 10-32 x 1/2"
4 Speed Nuts

