

Excellent Integrated System Limited

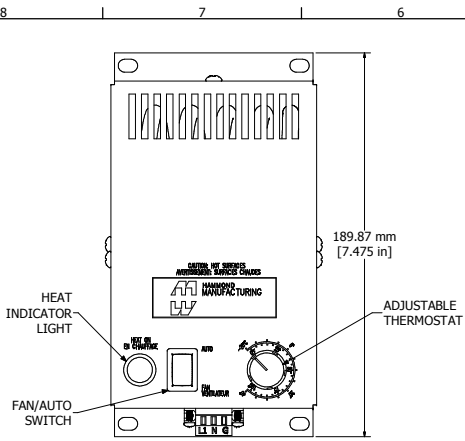
Stocking Distributor

Click to view price, real time Inventory, Delivery & Lifecycle Information:

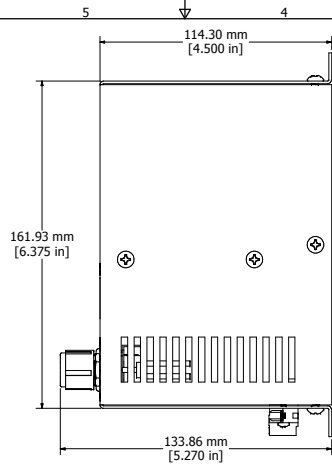
[Hammond Manufacturing](#)
[FLHTF800A115](#)

For any questions, you can email us directly:

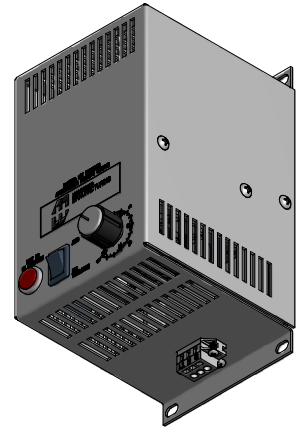
sales@integrated-circuit.com



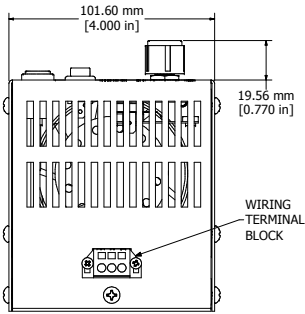
ASSEMBLY - VIEW FROM FRONT



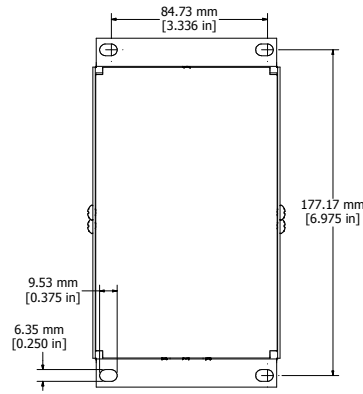
ASSEMBLY - VIEW FROM SIDE



ISOMETRIC VIEW



ASSEMBLY - VIEW FROM BOTTOM



ASSEMBLY - VIEW FROM BACK

FLHTF800A115

Housing - Aluminum Alloy

Rating - 120 VAC, 60 Hz, 800 W

Approvals - UL Recognized Standard UL 508A

- CSA Standard C22.2 No. 88



**HAMMOND
MANUFACTURING™**

FLHTF800A115

www.hammondmfg.com