

Excellent Integrated System Limited

Stocking Distributor

Click to view price, real time Inventory, Delivery & Lifecycle Information:

[Hammond Manufacturing](#)
[R149-010-001](#)

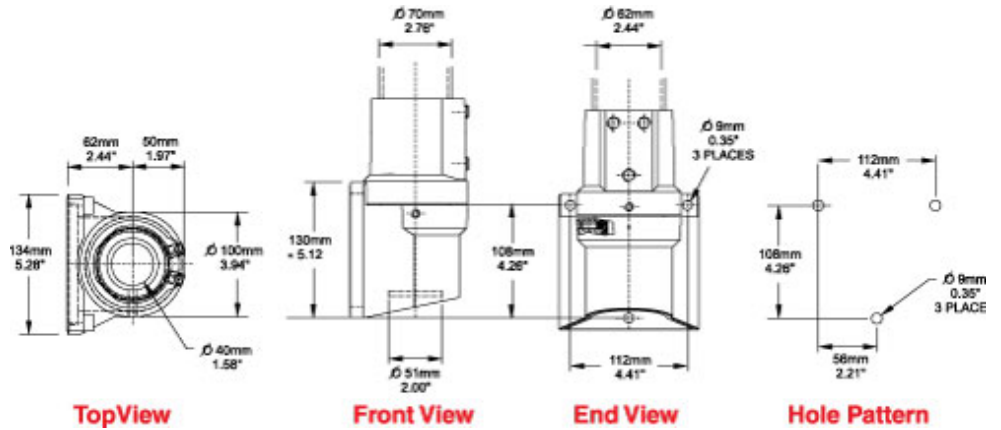
For any questions, you can email us directly:

sales@integrated-circuit.com

Tara Plus Vertical Wall Joint *TPSSVWJ Series*



- Accepts 70mm tube parallel to its mounting surface.
- Die-cast Aluminum G Al Si 12.
- Rotates 316°.



Part No. **R149-010-001**

Data subject to change without notice