

Excellent Integrated System Limited

Stocking Distributor

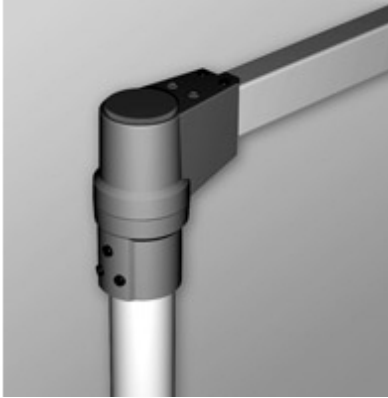
Click to view price, real time Inventory, Delivery & Lifecycle Information:

[Hammond Manufacturing](#)
[R149-040-000](#)

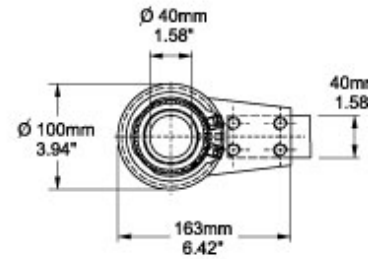
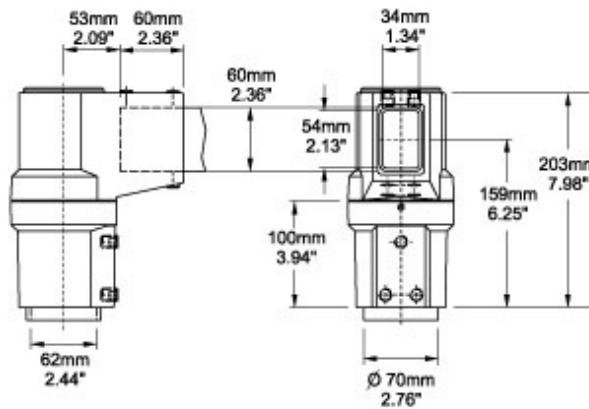
For any questions, you can email us directly:

sales@integrated-circuit.com

Tara Plus Rotating Elbow *TPSSRE Series*



- For use with 70mm round tube and 60x40mm rectangular tube.
- Die-cast Aluminum G Al Si 12.
- Rotates 300°.
- Accessible from the top.



Part No. **R149-040-000**

Data subject to change without notice