

## Excellent Integrated System Limited

Stocking Distributor

Click to view price, real time Inventory, Delivery & Lifecycle Information:

[Hammond Manufacturing](#)  
[RCSC19021PDBK1](#)

For any questions, you can email us directly:  
[sales@integrated-circuit.com](mailto:sales@integrated-circuit.com)

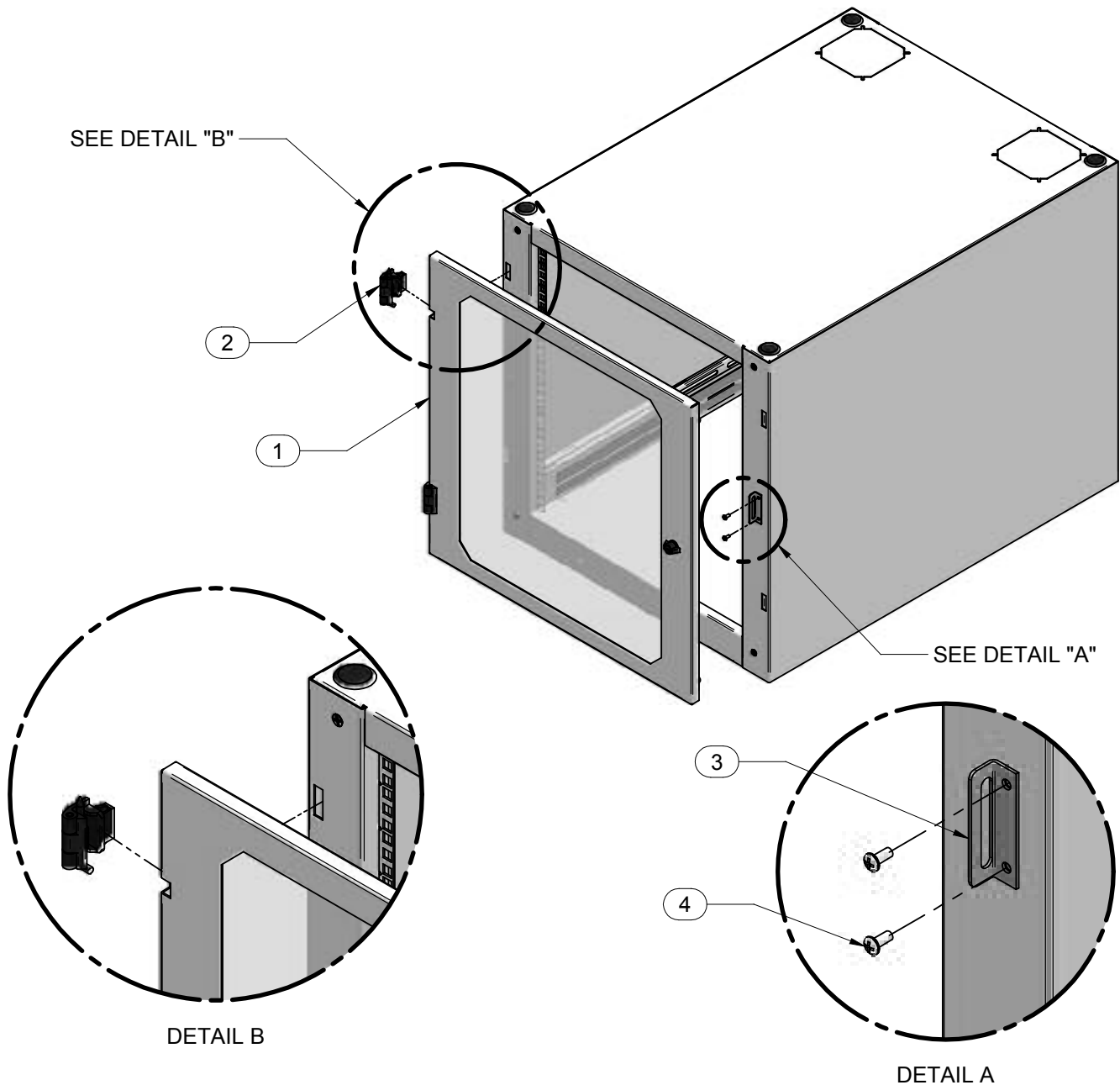
# RCSC - SERIES

## ASSEMBLY INSTRUCTIONS FOR RCSC\_PD (DOORS)

BUL10343

REV. B

PAGE 1 OF 1



### ASSEMBLY INSTRUCTIONS:

- 1) Install lock bracket (Item 3) using self tapping screws (Item 4) into existing holes on side.
- 2) Install hinges (Item 2) on door (Item 1), ensure hinge pins are located with bent arm at the top.
- 3) Hinges are designed to simply "Snap" into cabinet frame. Push firmly to ensure hinges snap in fully.

#### PARTS LIST

ITEM No.	DESCRIPTION	QTY
1	PERFORATED DOOR	1
2	SNAP IN HINGE	2
3	LOCK BRACKET	1
4	8-32 X 3/8" SELF TAP SCREWS	2

TOOL BOX



Phillips  
Screw Driver



**HAMMOND  
MANUFACTURING™**  
ELECTRONICS GROUP

visit our website @ [www.hammondmfg.com](http://www.hammondmfg.com)