

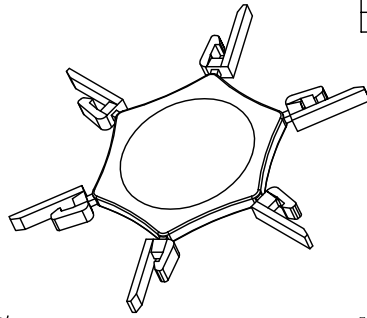
Excellent Integrated System Limited

Stocking Distributor

Click to view price, real time Inventory, Delivery & Lifecycle Information:

[On-Shore Technology, Inc.](#)
[OSTAF000020](#)

For any questions, you can email us directly:
sales@integrated-circuit.com

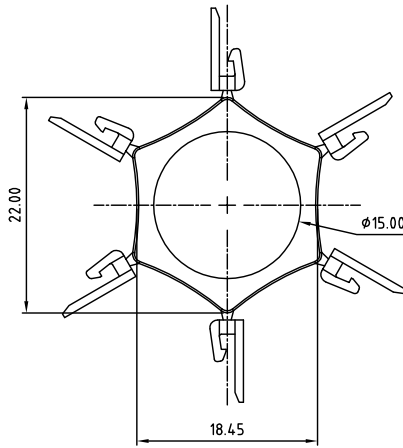
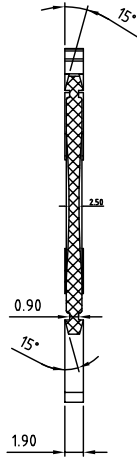
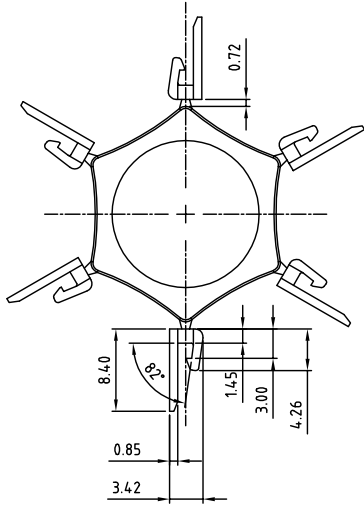


Material

● Insulator (housing): Thermoplastic (UL94V-0)

Pitch 5.0/5.08/7.5/7.62

	OST00	OSTVK	OSTVE	OSTVL	OSTVF	OSTVZ
OSTAF	●	●	●	●	●	●



SIGN	DATE	DESCRIPTION	APPROVER
THIS IS CAD DRAWING, DO NOT REVISE MANUALLY!!!			



THESE DRAWINGS AND SPECIFICATIONS ARE THE PROPERTY OF ON-SHORE TECHNOLOGY, INC. AND SHALL NOT BE REPRODUCED, COPIED OR USED IN ANY MANNER WITHOUT THE PRIOR WRITTEN CONSENT OF ON-SHORE TECHNOLOGY, INC.

TITLE		OSTAF Series Key			DWG NO.		OSTAF000020.DWG		Tolerance	
PART NO.		OSTAF000020			CUST NO.				X	±0.50
APPROVED	CHECKED	DESIGNED	DRAWN	SHEET: 01/01		REV: B		X.X	±0.30	
Shi Jun 2006.11.3	Marvin 2006.04.11	Marvin 2006.04.11	Marvin 2006.04.11					X.XX	±0.10	
								X*	±1°	