

## Excellent Integrated System Limited

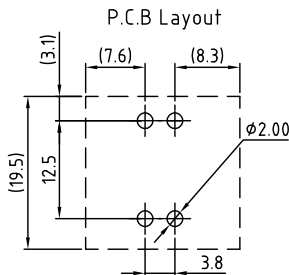
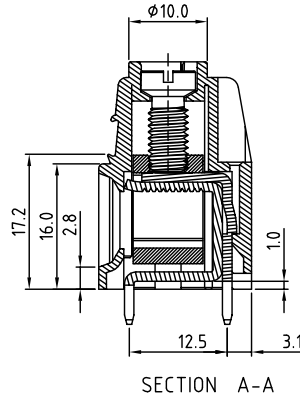
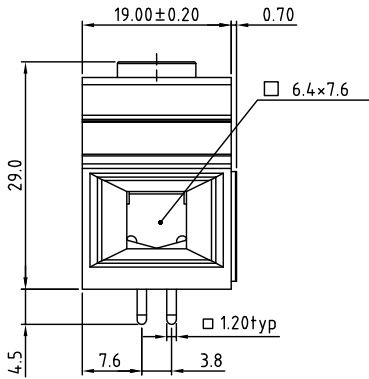
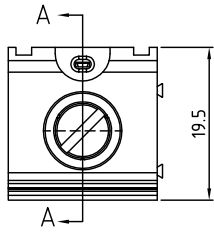
Stocking Distributor

Click to view price, real time Inventory, Delivery & Lifecycle Information:

[On-Shore Technology, Inc.](#)  
[OSTEJ01D151](#)

For any questions, you can email us directly:  
[sales@integrated-circuit.com](mailto:sales@integrated-circuit.com)

SIGN	DATE	DESCRIPTION	APPROVER
THIS IS CAD DRAWING, DO NOT REVISE MANUALLY!!!			



- Material**
- Terminal body (metal housing) : Brass(CuZn)
  - Terminal screw : Steel Zinc plating "-" slot type
  - Contacts : Brass
  - Surface of solder tail : Tin plated
  - Insulator (housing) : Thermoplastic (UL94V-0)
- Electrical**
- Voltage rating : 600V
  - Current rating : 100A
  - Wire range : Solid wire (AWG) : 3-18  
Stranded wire (AWG) : 3-18
  - Torque (LB-In.) : 30
  - Screw : M5
  - Wire strip length : 12-15mm
  - Withstanding Voltage : 2.2KV
  - Operating temperature : -30°C+105°C
  - Soldering temperature : 250°C+10°C/5 Sec
  - Safety Approval : US

RoHS Compliant

PART NUMBER:

OSTEJXXD151

- No. of Poles
- 01: 1 Pole
  - :
  - :
  - 24: 24 Poles
- COLOR
- 0: Black
  - 5: Green (Standard)
  - 6: Blue
  - 8: Grey

THESE DRAWINGS AND SPECIFICATIONS ARE THE PROPERTY OF ON-SHORE TECHNOLOGY, INC. AND SHALL NOT BE REPRODUCED, COPIED OR USED IN ANY MANNER WITHOUT THE PRIOR WRITTEN CONSENT OF ON-SHORE TECHNOLOGY, INC.

<b>OST</b> ON-SHORE TECHNOLOGY, INC.					
TITLE	OSTEJ 19.0 Series				
PART NO.	OSTEJXXD151				
DWG NO.	OSTEJXXD151.DWG				
APPROVED	CHECKED	DESIGNED	DRAWN	CUST NO.	Tolerance
Shi Jun 2006.10.23	Shi Jun 2006.10.23	Aaron 2006.10.23	Aaron 2006.10.23		X: +0.50 X.X: +0.30 X.XX: +0.10 X*: ±1°
SHEET: 01/01				REV.: C	UNIT: mm SCALE: NONE