

Excellent Integrated System Limited

Stocking Distributor

Click to view price, real time Inventory, Delivery & Lifecycle Information:

[On-Shore Technology, Inc.](#)

[OSTEO020102](#)

For any questions, you can email us directly:

sales@integrated-circuit.com

SIGN	DATE	DESCRIPTION	APPROVER

THIS IS CAD DRAWING, DO NOT REVISE MANUALLY!!!

Material

- Insulating body Thermoplastic (UL94V-0)
- Insulating cover Thermoplastic (UL94V-0)
- Terminal screw Steel Zinc plating M3
- Terminal body(house) Brass, Ni plated
- Wire guard PhBz , Tin plated

Electrical

- Voltage rating: 300V
- Current rating: 15A
- Wire range:
 - Solid wire(AWG): 12-28
 - Stranded wire(AWG): 12-28
- Torque: 4.5Lb-In
- Screw: M3
- Wire strip length: 5-6mm
- Withstanding Voltage: 1.6KV
- Operating temperature: -40°C to +115°C
- Safety Approval: **UL**

RoHS Compliant

PART NUMBER:

OSTEOXX0102

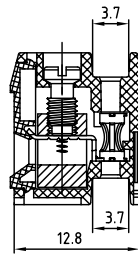
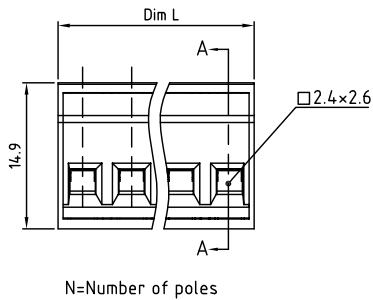
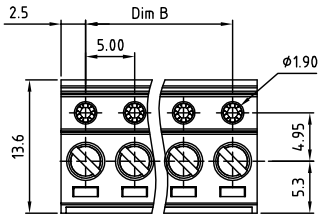
- No. of Poles
- 02 2 Poles
 - 03 3 Poles
 -
 - 124 12 Poles

- COLOR
- 0: Black (Standard)
 - 5: Green
 - 6: Blue
 - 8: Grey

THESE DRAWINGS AND SPECIFICATIONS ARE THE PROPERTY OF ON-SHORE TECHNOLOGY, INC. AND SHALL NOT BE REPRODUCED, COPIED OR USED IN ANY MANNER WITHOUT THE PRIOR WRITTEN CONSENT OF ON-SHORE TECHNOLOGY, INC.



TITLE		OSTEO 5.0 series (A type φ1.90mm)		
PART NO.	OSTEOXX0102	DWG NO.	OSTEOXX0102.DWG	
APPROVED	CHECKED	DESIGNED	DRAWN	CUST NO.
		Jacke 2009.02.23	Jacke 2009.02.23	
				Tolerance X ±0.50 X.X ±0.30 X.XX ±0.10 X* ±1°
		SHEET: 01/01		REV.: B



SECTION A-A

Dim L=N×5.0
Dim B=(N-1)×5.0

Poles	02	03	04	05	06	07	08	09	10	11	12
Dim L	10.00	15.00	20.00	25.00	30.00	35.00	40.00	45.00	50.00	55.00	60.00
Dim B	5.00	10.00	15.00	20.00	25.00	30.00	35.00	40.00	45.00	50.00	55.00
TOL	±0.10			±0.15			±0.20				