



Distributor of Molex Connector Corporation: Excellent Integrated System Limited
Datasheet of 53460-0611 - Connector Receptacle Firewire (IEEE 1394) 6 Position Through
Hole, Right Angle, Vertical

Contact us: sales@integrated-circuit.com Website: www.integrated-circuit.com

Excellent Integrated System Limited

Stocking Distributor

Click to view price, real time Inventory, Delivery & Lifecycle Information:

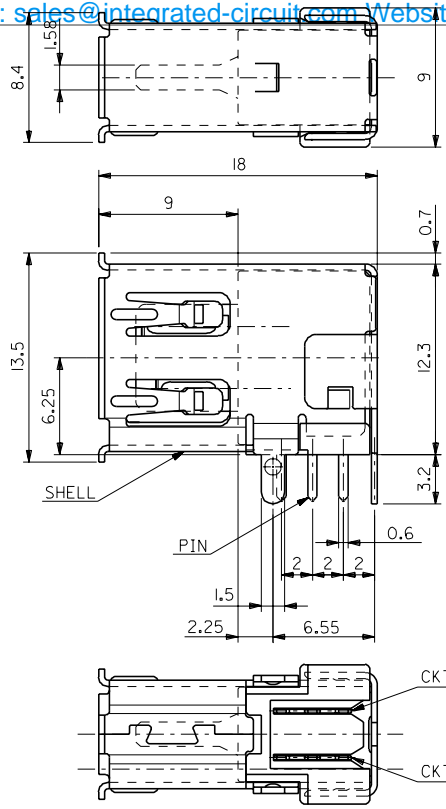
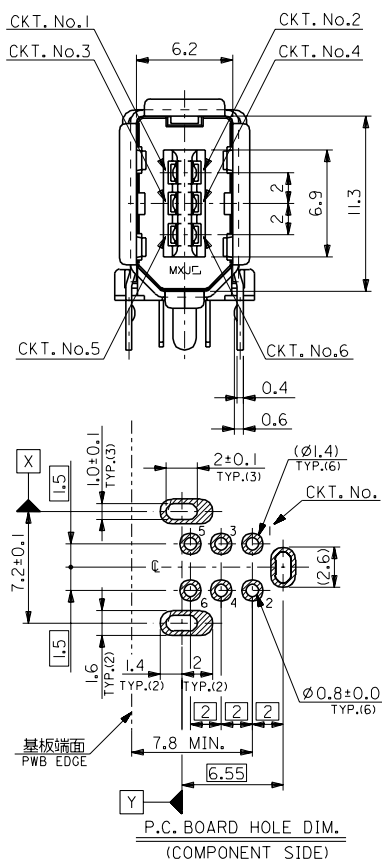
[Molex Connector Corporation](#)
[53460-0611](#)

For any questions, you can email us directly:
sales@integrated-circuit.com

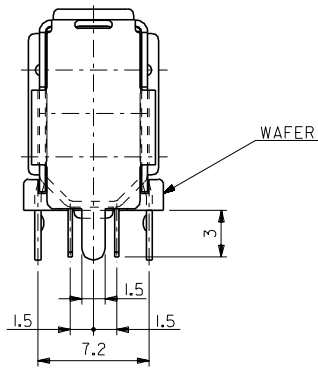
Contact us: sales@integrated-circuit.com Website: www.integrated-circuit.com

DWG. NO. SD-53460-0611

DIMENSIONS IN METRIC DO NOT SCALE DRAWING



部品名 PARTS NAME	材質 MATERIAL	注記 NOTES
ウェハ WAFER	ガラス/ナイロン NYLON46 G.F.	G.F.30%, UL94V-0, 色:黒 G.F.30%, UL94V-0, COLOR:BLACK
ピン PIN	黄銅 t0.25 BRASS t0.25	接点部 : 金メッキ0.76µm I N. CONTACT AREA : GOLD 0.76 µmMIN. 半田付け部 : 半田メッキ3µm I N. SOLDER TAIL AREA : TIN-LEAD 3 µmMIN. 下地メッキ : ニッケルメッキ2µm I N. UNDER-PLATING : NICKEL 2 µmMIN.
シェル SHELL	りん青銅 t0.4 PHOSPHOR BRONZE t0.4	半田メッキ : 3~6µm TIN-LEAD : 3~6 µm 下地メッキ : ニッケルメッキ1.27µm I N. UNDER-PLATING : NICKEL 1.27 µmMIN.



材料 MATERIAL		表参照 SEE TABLE		MOLEX-JAPAN CO.,LTD. 日本モレックス株式会社	
仕上り FINISH <td colspan="2">表参照 SEE TABLE <td colspan="2">REVISE ONLY ON CAD SYSTEM</td> </td>		表参照 SEE TABLE <td colspan="2">REVISE ONLY ON CAD SYSTEM</td>		REVISE ONLY ON CAD SYSTEM	
適用電線範囲 WIRE RANGE <td colspan="2">---</td> <td colspan="2">TITLE 名称</td>		---		TITLE 名称	
被覆外径 INS. RANGE <td colspan="2">---</td> <td colspan="2">2.0 I/O CONN. SOCKET</td>		---		2.0 I/O CONN. SOCKET	
DRAWN BY		CHK'D BY		DWG. NO.	
S. Sakagami		S. Ota		SD-53460-0611	
APP'D BY		SCALE		REV	
DR. S. Sakagami		4-1		D	
DATE					
LTR					
REVISION RECORD					
一般公差 GENERAL TOLERANCES					
角度 ANGLE		+30			
30以上 OVER		+0.3			
10以上 30未満 UNDER		+0.25			
10未満 UNDER		+0.2			

THIS DRAWING CONTAINS INFORMATION THAT IS PROPRIETARY TO MOLEX(JAPAN) AND SHOULD NOT BE USED WITHOUT WRITTEN PERMISSION
 本図面は日本モレックス(株)の所有する情報を含むもので 当社の許可なく複製を禁止する。
 EN-01C(032)MXJ-32