

Excellent Integrated System Limited

Stocking Distributor

Click to view price, real time Inventory, Delivery & Lifecycle Information:

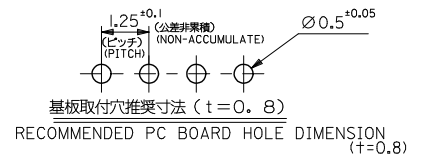
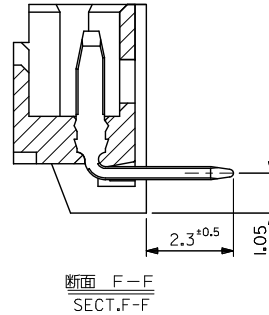
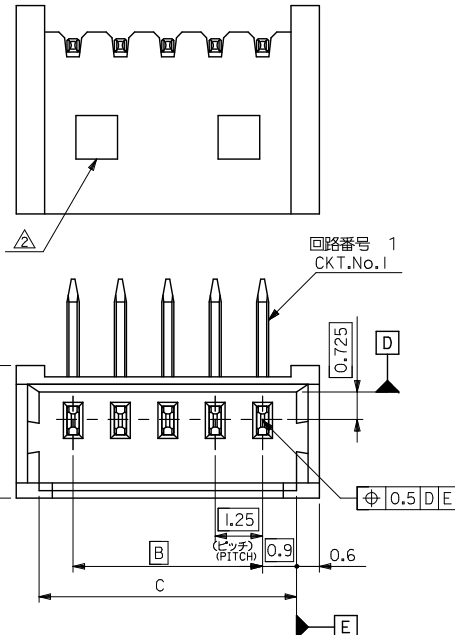
[Molex Connector Corporation](#)
[0530481510](#)

For any questions, you can email us directly:
sales@integrated-circuit.com

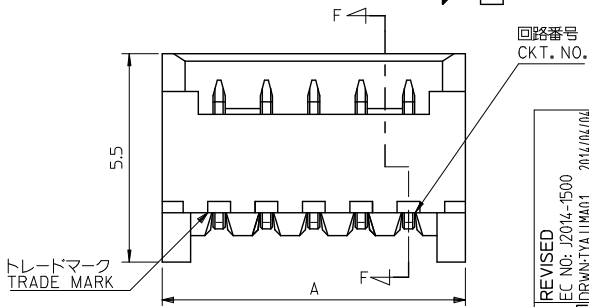
注記

NOTES

1. 嵌合相手: 51021-***00
MATE WITH: 51021-***00
- △. ロック窓は、2, 3極が1ヶ所、4~15極が2ヶ所とする。
WINDOW OF LOCK CONSTRUCTED 1 POINT BY 2,3POLES AND 2POINTS BY 4~15POLES.
3. MATERIAL :
PIN : PHOSPHOR BRONZE, PRE-PLATED TIN
WAFER : NYLON, 94V-0 , NATURAL COLOR



19.3	17.5	20.5	53048-1510	15
18.05	16.25	19.25		-1410 14
16.8	15	18		-1310 13
15.55	13.75	16.75		-1210 12
14.3	12.5	15.5		-1110 11
13.05	11.25	14.25		-1010 10
11.8	10	13		-0910 9
10.55	8.75	11.75		-0810 8
9.3	7.5	10.5		-0710 7
8.05	6.25	9.25		-0610 6
6.8	5	8		-0510 5
5.55	3.75	6.75		-0410 4
4.3	2.5	5.5		-0310 3
3.05	1.25	4.25	53048-0210	2
C	B	A	ENG. NO.	極数



REVISED IEC NO. J2014-1500 DRAWN BY: TYAJIMA01 CHIKIDAKAKAWA APPROVED BY: NUKITA 2014/04/04 2014/04/07 2014/04/07	GENERAL TOLERANCES (UNLESS SPECIFIED)		DIMENSION STYLE MM ONLY		SCALE ---	DESIGN UNITS METRIC	THIRD ANGLE PROJECTION
	10 UNDER	± 0.2	DRAWN BY	DATE	TITLE		
	10 OVER 30 UNDER	± 0.25	TYAJIMA01	2014/04/04	1.25 W/B CONN WAFER ASSY R/A		
	30 OVER	± 0.3	CHECKED BY	DATE	1.25 W/B CONN WAFER ASSY R/A		
	ANGULAR ± 3 °	DRAFT WHERE APPLICABLE MUST REMAIN WITHIN DIMENSIONS	APPROVED BY	DATE	DOCUMENT NO.		
			NUKITA	2014/04/07	SD-53048-001		
			SEE TABLE		SHEET NO.		
			MATERIAL NO.		1 OF 1		
			SIZE		THIS DRAWING CONTAINS INFORMATION THAT IS PROPRIETARY TO MOLEX INCORPORATED AND SHOULD NOT BE USED WITHOUT WRITTEN PERMISSION		
			A3				