

Excellent Integrated System Limited

Stocking Distributor

Click to view price, real time Inventory, Delivery & Lifecycle Information:

[Comair Rotron](#)
[19032710A](#)

For any questions, you can email us directly:

sales@integrated-circuit.com



Flight LT - CR0624HB - -032710 - Yes
60x25 - A70GL
 (Family) (Model) (Part #) (In Stock)



Electrical Specifications

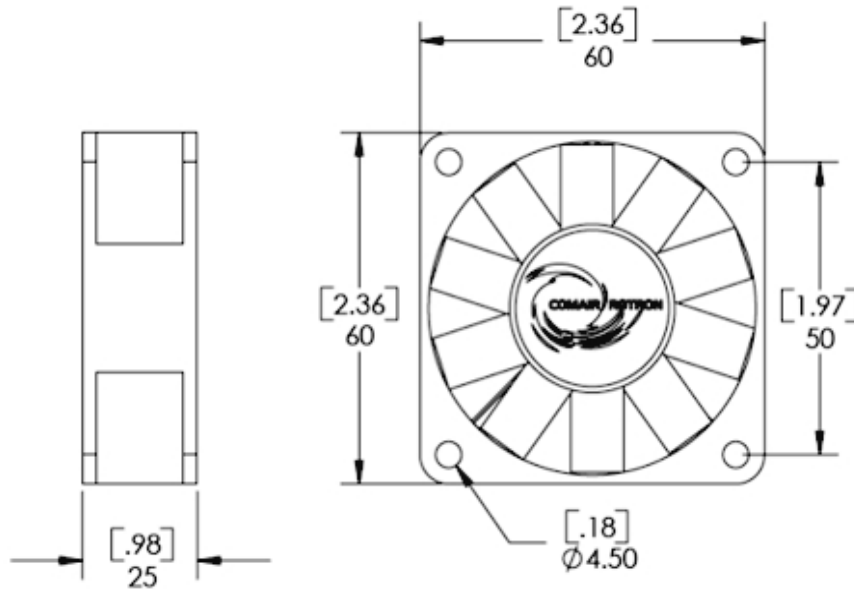
Operating Voltage:	24 Volts
Voltage Range:	21.6 - 26.4 Volts
Power Supply:	3.6 Watts
Line Current:	0.15 Amps
Locked Rotor Current	0.15 Amps
Nominal Speed:	4500 RPM

Mechanical Specifications

Dimensions:	2.4 x 2.4 x 1.0 in
Weight	2.4 oz
Max Airflow @ 0 in H ₂ O	23.0 CFM
Max Pressure @ 0 CFM	0.185 in H ₂ O
Noise	32.3 dBA



Mechanical Drawing



Comair Rotron, Inc. Phone: 858.348.6200 FAX: 858.566.4577 sales@comairrotron.com	ThermaFlo, Inc. Phone: 972.312.8609 FAX: 972.312.8617 info@thermaflo.com	Comair Rotron Europe, Ltd. Phone: +44.1527.520525 FAX: +44.1527.520565 saleseurope@comairrotron.com	Comair Rotron Fan Company Ltd. Phone: +86.21.52260581 FAX: +86.21.52260597 salesasia@comairrotron.com
---	---	--	--

Print Date: Saturday, August 18, 2007 at 23:47:44 - DC Fan Datasheet - Web Version 1.0 Rev. B



Fan Performance Curve