

### Description

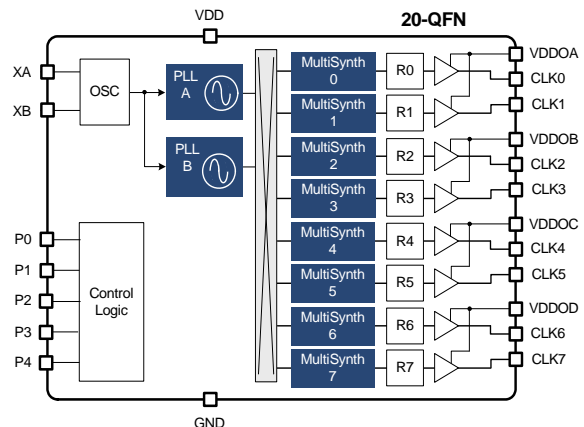
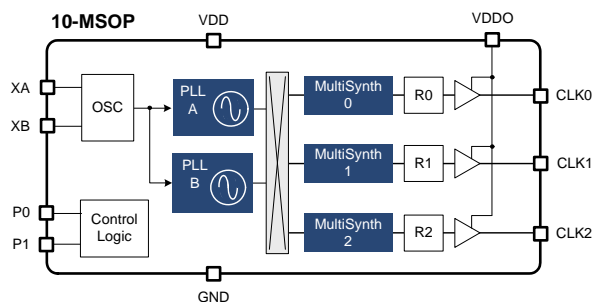
The Si5350/51 family of highly flexible, programmable clock generators can be customized to generate up to eight independent non-integer-related frequencies. The devices have eight CMOS clock outputs offered in a space saving 4x4 mm 20-QFN or lower cost three clock output versions offered in a 10-MSOP package. Each output has an independent MultiSynth™ fractional divider that accepts a high-frequency reference from one of the device's internal PLLs and accurately divides down the clock to generate unique, non-integer-related frequencies from 2.5 kHz to 200 MHz. Any combination of output frequencies can be generated by the device. All clocks are generated with 0 ppm frequency synthesis error, enabling the replacement of XOs and PLL-based clocks while simplifying design and minimizing cost. As an added feature, the Si5350/51 features an integrated VCXO which eliminates the need for pullable crystals. The Si5350 features configurable control pin options allowing the direct pin control of frequency select, output enable, spread spectrum enable and powerdown. Each output supports 1.8, 2.5, or 3.3 V operation, eliminating the need for external level translators in mixed-supply applications.

### Features

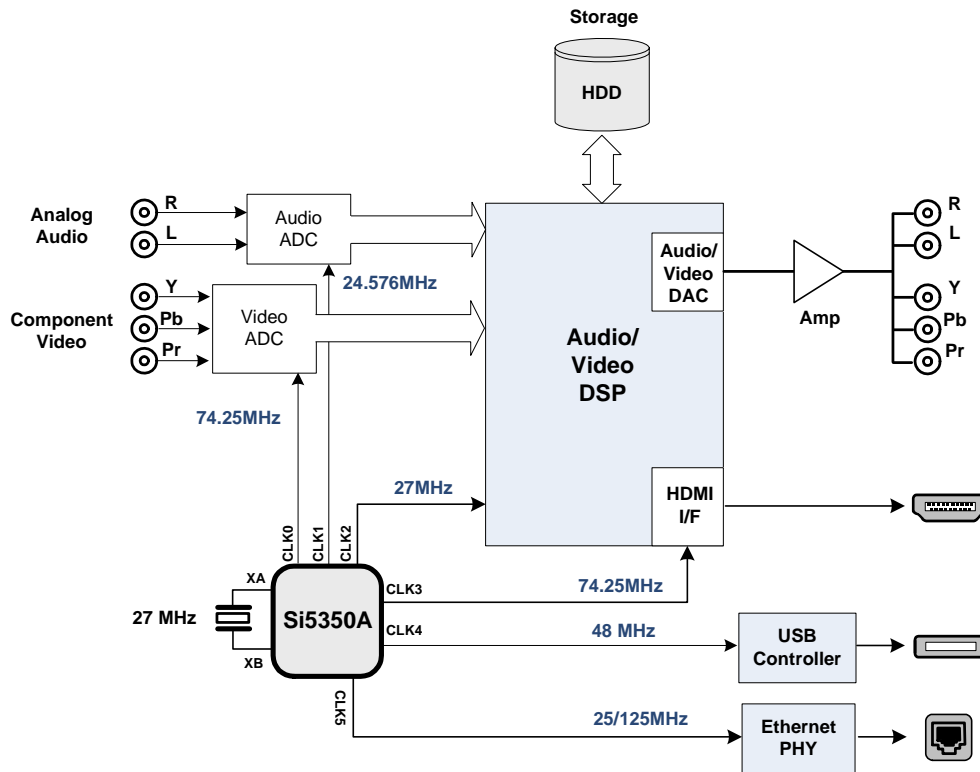
- Generates any frequency on any output
  - 2.5 kHz to 200 MHz
  - Exact clock synthesis: 0 ppm error
  - Similar frequency flexibility as 8 independent PLLs
- Accepts crystal or external reference clock
- < 70 ps typical period jitter for any configuration
- Glitchless switching between output frequencies
- Integrated VCXO eliminates need for pullable crystal
- Si5350 (pin) and Si5351 (I<sup>2</sup>C) versions
- User-definable control pins:
  - Frequency select, output enable, spread spectrum enable, powerdown
- Spread spectrum clock generation
  - -0.1 to -2.5% down, ±0.1 to ±1.5% center
- Two week sample lead time for any custom clock
- Small size: 4x4 mm 20-QFN and 10-MSOP
- Industrial temperature range: -40 to +85

### Applications

- HDTV, DVD/Blu-ray, set-top box
- Audio/video equipment, gaming
- Printers, scanners, projectors
- Audio DAC/CODEC
- USB Audio
- Residential gateways
- Networking/communication
- Servers, storage



### Example Application—Personal Video Recorder/Blu-Ray Player



### Product Family Matrix

Function	Control	Input(s)	Outputs/ Pkg	Part Number	Use
Free-running clock generator	Pin	25, 27 MHz xtal	3 (10-MSOP)	Si5350A-B-GT	Factory programmable
			8 (20-QFN)	Si5350A-B-GM	In-circuit configurable
	I2C		3 (10-MSOP)	Si5351A-B-GT	In-circuit configurable
			8 (20-QFN)	Si5351A-B-GM	In-circuit configurable
Free-running clock generator+ VCXO	Pin	25, 27 MHz xtal + analog control voltage	8 (20-QFN)	Si5350B-B-GM	Factory programmable
	I2C		3 (10-MSOP)	Si5350B-B-GT	In-circuit configurable
Free-running and/or synchronous clock generator	Pin	25, 27 MHz xtal	8 (20-QFN)	Si5350C-B-GM	Factory programmable
			3 (10-MSOP)	Si5350C-B-GT	In-circuit configurable
	I2C		8 (20-QFN)	Si5351C-B-GM	In-circuit configurable

**Note:** To order a factory-customized Si5350 (e.g., Si5350A-Bxxxx-GT), use ClockBuilder web-based utility [www.silabs.com/ClockBuilder](http://www.silabs.com/ClockBuilder).