

Excellent Integrated System Limited

Stocking Distributor

Click to view price, real time Inventory, Delivery & Lifecycle Information:

[Phoenix Contact](#)
[1715789](#)

For any questions, you can email us directly:

sales@integrated-circuit.com



Extract from the online catalog

MKDS 1,5/ 8-5,08

Order No.: 1715789

The figure shows a 10-position version of the product



<http://eshop.phoenixcontact.de/phoenix/treeViewClick.do?UID=1715789>

PC terminal block, Nominal current: 17.5 A, Nom. voltage: 250 V, Pitch: 5.08 mm, Number of positions: 8, Type of connection: Screw connection, Assembly: Soldering, Conductor/PCB connection direction: 0 °, Color: green, The article can be aligned to create different nos. of positions!

| Commercial data | |
|--------------------------|-------------------|
| EAN | 4017918024222 |
| Pack | 50 pcs. |
| Customs tariff | 85369010 |
| Weight/Piece | 0.011568 KG |
| Catalog page information | Page 63 (CC-2009) |

Product notes

WEEE/RoHS-compliant since:
01/01/2003



<http://www.download.phoenixcontact.com>
Please note that the data given here has been taken from the online catalog. For comprehensive information and data, please refer to the user documentation. The General Terms and Conditions of Use apply to Internet downloads.

Technical data

| Dimensions / positions | |
|------------------------|---------|
| Length | 9.8 mm |
| Height | 13.8 mm |
| Pitch | 5.08 mm |

MKDS 1,5/ 8-5,08 Order No.: 1715789

<http://eshop.phoenixcontact.de/phoenix/treeViewClick.do?UID=1715789>

| | |
|------------------------|--------------|
| Dimension a | 35.56 mm |
| Number of positions | 8 |
| Pin dimensions | 0,9 x 0,9 mm |
| Hole diameter | 1.3 mm |
| Screw thread | M3 |
| Tightening torque, min | 0.5 Nm |
| Tightening torque max | 0.6 Nm |

Technical data

| | |
|------------------------------------|---------------------|
| Insulating material group | I |
| Rated surge voltage (III/3) | 4 kV |
| Rated surge voltage (III/2) | 4 kV |
| Rated surge voltage (II/2) | 4 kV |
| Rated voltage (III/2) | 400 V |
| Rated voltage (II/2) | 630 V |
| Connection in acc. with standard | EN-VDE |
| Nominal current I_N | 17.5 A |
| Nominal voltage U_N | 250 V |
| Nominal cross section | 1.5 mm ² |
| Maximum load current | 22 A |
| Insulating material | PA |
| Inflammability class acc. to UL 94 | V0 |
| Internal cylindrical gage | A1 |
| Stripping length | 7 mm |

Connection data

| | |
|--|----------------------|
| Conductor cross section solid min. | 0.14 mm ² |
| Conductor cross section solid max. | 2.5 mm ² |
| Conductor cross section stranded min. | 0.14 mm ² |
| Conductor cross section stranded max. | 1.5 mm ² |
| Conductor cross section stranded, with ferrule without plastic sleeve min. | 0.25 mm ² |
| Conductor cross section stranded, with ferrule without plastic sleeve max. | 1.5 mm ² |
| Conductor cross section stranded, with ferrule with plastic sleeve min. | 0.25 mm ² |
| Conductor cross section stranded, with ferrule with plastic sleeve max. | 1.5 mm ² |

MKDS 1,5/ 8-5,08 Order No.: 1715789

<http://eshop.phoenixcontact.de/phoenix/treeViewClick.do?UID=1715789>

| | |
|---|----------------------|
| Conductor cross section AWG/kcmil min. | 26 |
| Conductor cross section AWG/kcmil max | 14 |
| 2 conductors with same cross section, solid min. | 0.14 mm ² |
| 2 conductors with same cross section, solid max. | 1 mm ² |
| 2 conductors with same cross section, stranded min. | 0.14 mm ² |
| 2 conductors with same cross section, stranded max. | 0.75 mm ² |
| 2 conductors with same cross section, stranded, ferrules without plastic sleeve, min. | 0.25 mm ² |
| 2 conductors with same cross section, stranded, ferrules without plastic sleeve, max. | 0.5 mm ² |
| 2 conductors with same cross section, stranded, TWIN ferrules with plastic sleeve, min. | 0.5 mm ² |
| 2 conductors with same cross section, stranded, TWIN ferrules with plastic sleeve, max. | 1 mm ² |

Certificates / Approvals



Certification

CCA, CSA, CUL, GL, GOST, SEV, UL

CSA

| | |
|--------------------------------|-------|
| Nominal voltage U _N | 300 V |
| Nominal current I _N | 10 A |
| AWG/kcmil | 28-14 |

CUL

| | |
|--------------------------------|-------|
| Nominal voltage U _N | 300 V |
| Nominal current I _N | 10 A |
| AWG/kcmil | 30-14 |

UL

| | |
|--------------------------------|-------|
| Nominal voltage U _N | 300 V |
| Nominal current I _N | 10 A |
| AWG/kcmil | 30-14 |

MKDS 1,5/ 8-5,08 Order No.: 1715789

<http://eshop.phoenixcontact.de/phoenix/treeViewClick.do?UID=1715789>
Accessories

| Item | Designation | Description |
|------|-------------|-------------|
|------|-------------|-------------|

Assembly

| | | |
|---------|------------------|---|
| 1702048 | RZ 1,25-MKDS 1,5 | Pitch spacer, for adjusting the pitches between MKDS and GMKDS terminal blocks in mixed rows, 1.25 mm thick |
|---------|------------------|---|

Bridges

| | | |
|---------|----------|---|
| 1733172 | EBP 3- 5 | Insertion bridge, fully insulated, for plug connectors with 5.0 or 5.08 mm pitch, no. of positions: 3 |
|---------|----------|---|

| | | |
|---------|----------|---|
| 1733185 | EBP 4- 5 | Insertion bridge, fully insulated, for plug connectors with 5.0 or 5.08 mm pitch, no. of positions: 4 |
|---------|----------|---|

General

| | | |
|---------|----------|---|
| 1733169 | EBP 2- 5 | Insertion bridge, fully insulated, for plug connectors with 5.0 or 5.08 mm pitch, no. of positions: 2 |
|---------|----------|---|

| | | |
|---------|----------|---|
| 1733169 | EBP 2- 5 | Insertion bridge, fully insulated, for plug connectors with 5.0 or 5.08 mm pitch, no. of positions: 2 |
|---------|----------|---|

Marking

| | | |
|---------|--------------------------|---|
| 0804293 | SK 5,08/3,8:FORTL.ZAHLEN | Marker card, printed horizontally, self-adhesive, 12 identical decades marked 1-10, 11-20 etc. up to 91-(99)100, sufficient for 120 terminal blocks |
|---------|--------------------------|---|

Tools

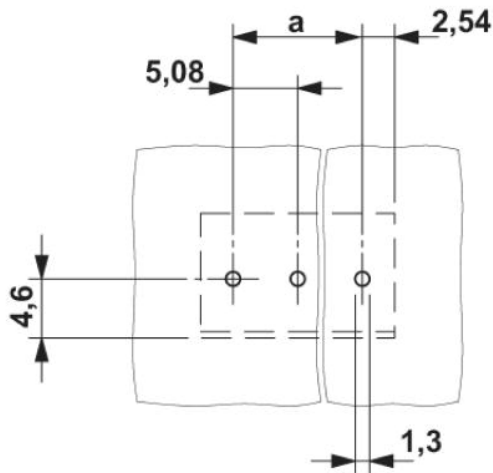
| | | |
|---------|-------------|--|
| 1205053 | SZS 0,6X3,5 | Screwdriver, bladed, matches all screw terminal blocks up to 4.0 mm ² connection cross section, blade: 0.6 x 3.5 mm, without VDE approval |
|---------|-------------|--|

MKDS 1,5/ 8-5,08 Order No.: 1715789

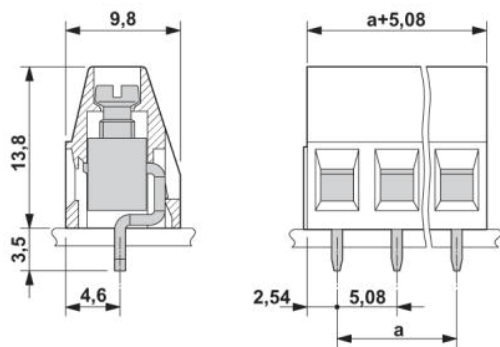
<http://eshop.phoenixcontact.de/phoenix/treeViewClick.do?UID=1715789>

Diagrams/Drawings

Drilling plan/solder pad geometry



Dimensioned drawing



MKDS 1,5/ 8-5,08 Order No.: 1715789

<http://eshop.phoenixcontact.de/phoenix/treeViewClick.do?UID=1715789>

Address

PHOENIX CONTACT Deutschland GmbH
Flachsmarktstr. 8
32825 Blomberg, Germany
Phone +49 5235 3 12000
Fax +49 5235 3 41200
<http://www.phoenixcontact.de>



© 2010 Phoenix Contact
Technical modifications reserved;