

Excellent Integrated System Limited

Stocking Distributor

Click to view price, real time Inventory, Delivery & Lifecycle Information:

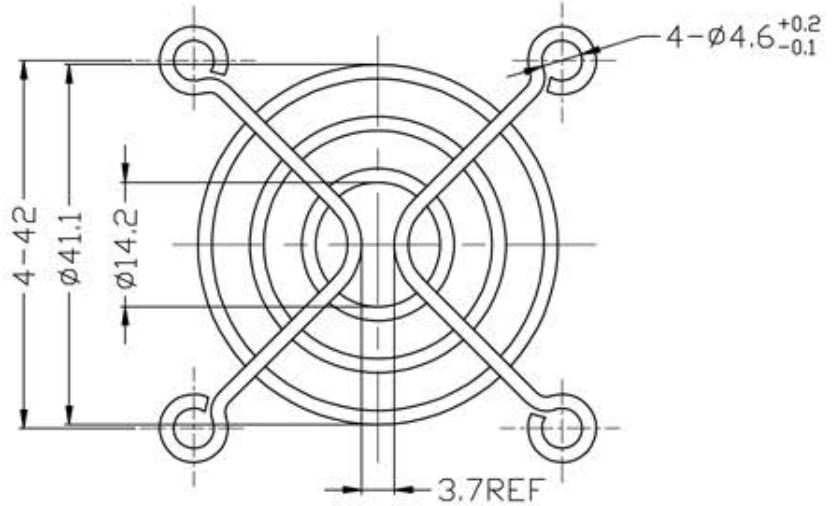
[Orion Fans](#)
[G50-3](#)

For any questions, you can email us directly:
sales@integrated-circuit.com

Part No. G50-3

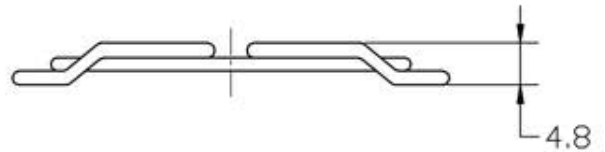


Fan Guard for
 50mm and 52mm fans



NOTES:

1. MATERIAL:C1008 BRIGHT BASIC WIRE
2. FINISH:BRIGHT NICKEL CHROME
3. RINGS: 1.6MM DIA / RIBS: 1.6MM DIA
4. WELDS TO WITHSTAND 88LBS PULL FORCE
5. SPACING BETWEEN RINGS: 4.33MM
6. GENERAL TOLERANCE UNLESS NOTED +/-0.5MM
7. PART MEETS 6.35MM PLUG GAUGE TEST
8. UNIT: MM



Part Number	Description
G50-3	50/52mm fan guard, metal
G50-3/PK	10-Pack G50-3, Boxed