

## Excellent Integrated System Limited

Stocking Distributor

Click to view price, real time Inventory, Delivery & Lifecycle Information:

[Tensility International Corporation](#)  
[10-00444](#)

For any questions, you can email us directly:

[sales@integrated-circuit.com](mailto:sales@integrated-circuit.com)

part number: 10-00444  
 description: Cable, 1830 mm, 7P DIN female 50-00181,  
 to stripped tinned, 20 AWG, UL2464  
 30-00027, shielded

date: March 9, 2011  
 rev: A  
 page: 1 of 2

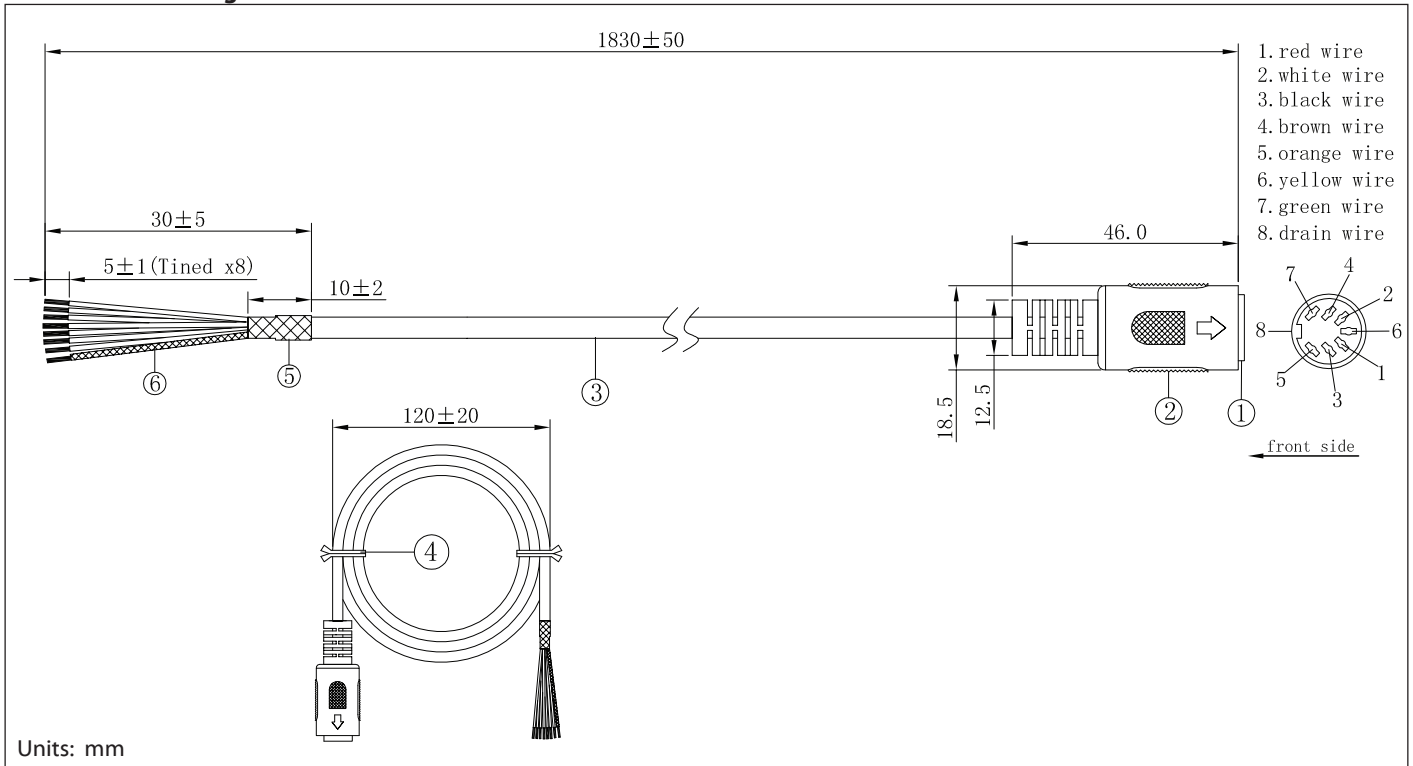
**Specifications:**

|                           |  |
|---------------------------|--|
| connector description (1) | 7P standard DIN female, molding style, brass, nickel plating, 270°, P/N 50-00181 |
| overmold (2)              | inner: PE; outer: 60P, PVC, black  |
| wire description (3)      | 7C, 20 AWG, UL2464, 300 V, 80 C, 7.5 mm, shielded, VW-1, PVC, 60P, P/N 30-00027  |
| cable outer diameter      | Ø7.5 mm  |
| cable color               | black  |
| cable length              | 1830 ± 50 mm   |
| twist tie (4)             | black  |
| shrink tube (5)           | Ø8.0, 105°C, 10 ± 2 mm, black  |
| shrink tube (6)           | Ø1.0, 105°C, 30 ± 5 mm, black  |
| current rating            | 2 A @ 12 Vdc   |

**Notes:**

Function test: no open, no reversed polarity, no short circuit, no INT  
 RoHS compliant

**Mechanical drawing:**



Units: mm

**tolerance X: ±0.5 mm .X: ±0.3 mm .XX: ±0.05 mm**  
 applicable unless otherwise indicated in specification or on drawings  
 Tensility International Corporation reserves the right to substitute  
 parts which are functionally equivalent to the ones specified.

|         |      |
|---------|------|
| Initial | Date |
|---------|------|

part number: 10-00444  
 description: Cable, 1830 mm, 7P DIN female 50-00181,  
 to stripped tinned, 20 AWG, UL2464  
 30-00027, shielded

date: March 9, 2011  
 rev: A  
 page: 2 of 2

**Revision notes:**

| Rev | Date          | Description     |
|-----|---------------|-----------------|
| A   | March 9, 2011 | initial release |
|     |               |                 |
|     |               |                 |
|     |               |                 |

**Specification Approval**

Spec sign-off verifies that you have reviewed the entire specification, tested a sample of the product, and confirm that it meets your requirements. This specification reflects the part as it will be ordered. Orders will not be processed until the specification pages have been initialed and the approval page has been signed. This specification is confidential and is not to be transmitted without prior approval from Tensility.

Signature \_\_\_\_\_ Title \_\_\_\_\_  
 Name \_\_\_\_\_ Date \_\_\_\_\_  
 Company \_\_\_\_\_ Branch \_\_\_\_\_