

Excellent Integrated System Limited

Stocking Distributor

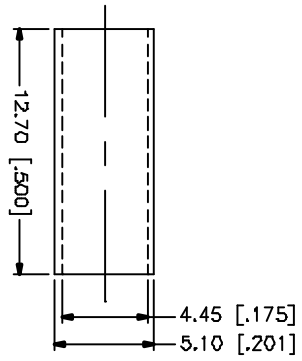
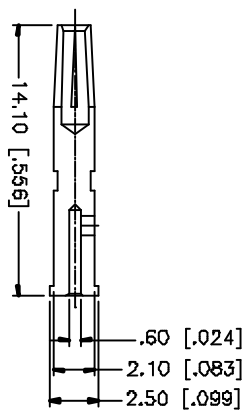
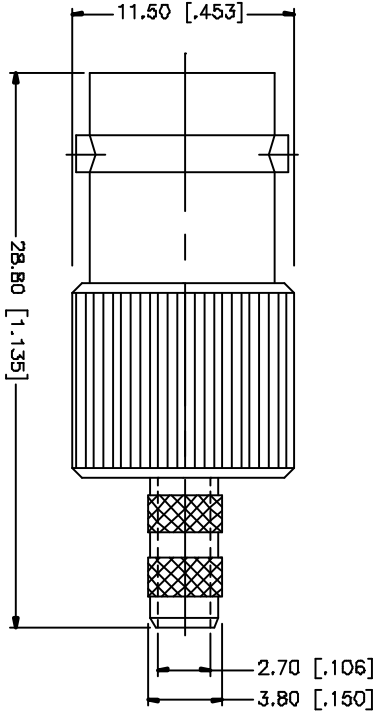
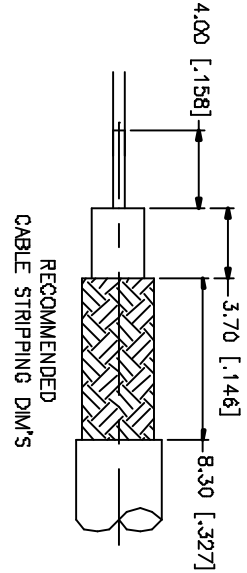
Click to view price, real time Inventory, Delivery & Lifecycle Information:

[Amphenol RF](#)
[112559](#)

For any questions, you can email us directly:

sales@integrated-circuit.com

REV.	DATE	DESCRIPTION
A	11/21/03	UPDATE DRAWING FORMAT
B	04/14/04	MODIFY CABLE DESCRIPTION



NOTE:
 1. CRIMPED FERRULE
 HEX CRIMP SIZE .178"
 2. CRIMPED CONTACT PIN
 HEX CRIMP SIZE .068"

QTY	DESCRIPTION	MATERIAL	FINISH	QTY	DO NOT SCALE DRAWING
1	BODY	BRASS	NICKEL	1	
1	INSULATOR	DELFIN	NATURAL	1	
1	CONTACT PIN	PHOS. BRONZE	GOLD	1	
1	FERRULE	COPPER	NICKEL	1	
5					
6					
7					
8					

APPROVALS	DATE
DRWN G.R.S.	04/14/04
CHECKED	
ISSUED	
SHEET 1 OF 1	

PART DESCRIPTION	PART NO.
BNC CRIMP JACK (FOR BELDEN 8218 CABLE - 75 ohms)	112559

DWG. NO.	REV.	SIZE	SCALE
C:/112/112559.DWG	B	A	NA

Amphenol Connex