

Excellent Integrated System Limited

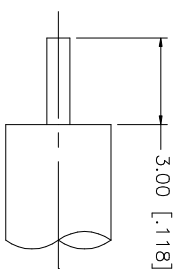
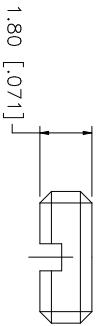
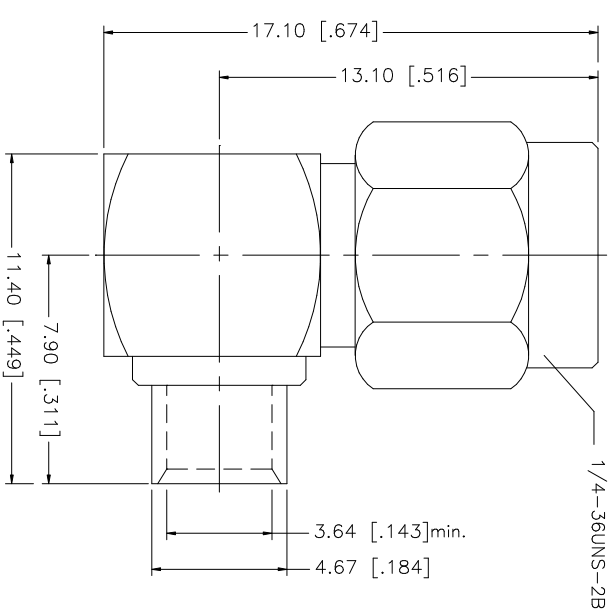
Stocking Distributor

Click to view price, real time Inventory, Delivery & Lifecycle Information:

[Amphenol RF](#)
[132201](#)

For any questions, you can email us directly:
sales@integrated-circuit.com

REV.	DATE	DESCRIPTION
NC	10/08/02	INITIAL RELEASE
A	05/01/04	UPDATE DRAWING FORMAT
B	12/01/05	CHANGE COVER TO PASSIVATED S.S.



RECOMMENDED
CABLE STRIPPING DIM'S

NOTE:
1) CONTACT PIN TO SOLDER

QTY	FINISH	MATERIAL	DESCRIPTION
1	PASSIVATED S.S.	PASSIVATED S.S.	COVER
1	GOLD	BER. COPPER	CONTACT PIN
1	NATURAL	TEFLON	INSULATOR
1	GOLD	BRASS	HOUSING/BODY

APPROVALS	DATE
DRAWN G.R.S.	12/01/05
CHECKED	
ISSUED	
SHEET 1 OF 1	

CAD FILE	DWG. NO.	REV.	SIZE	SCALE
C:/132/132201.DWG	132201.DWG	B	A	NA

UNLESS OTHERWISE SPECIFIED DIMENSIONS ARE IN MILLIMETERS. DIMENSIONS IN PARENTHESIS ARE IN INCHES AND FOR CONVENIENCE ONLY.
UNLESS OTHERWISE SPECIFIED TOLERANCES FOR MILLIMETERS ARE: 0.5 - 8mm ± 0.20mm 8 - 30mm ± 0.40mm 30 - 120mm ± 0.50mm
UNLESS OTHERWISE SPECIFIED TOLERANCES FOR INCHES ARE: .020 - .315 = ± 0.007" .315 - 1.180 = ± 0.015" 1.180 - 4.724 = ± 0.020"

PART DESCRIPTION	PART NO.
SMA R/A DIRECT SOLDER PLUG (FOR .141" SEMI-RIGID CABLE)	132201

Amphenol Connex