

Excellent Integrated System Limited

Stocking Distributor

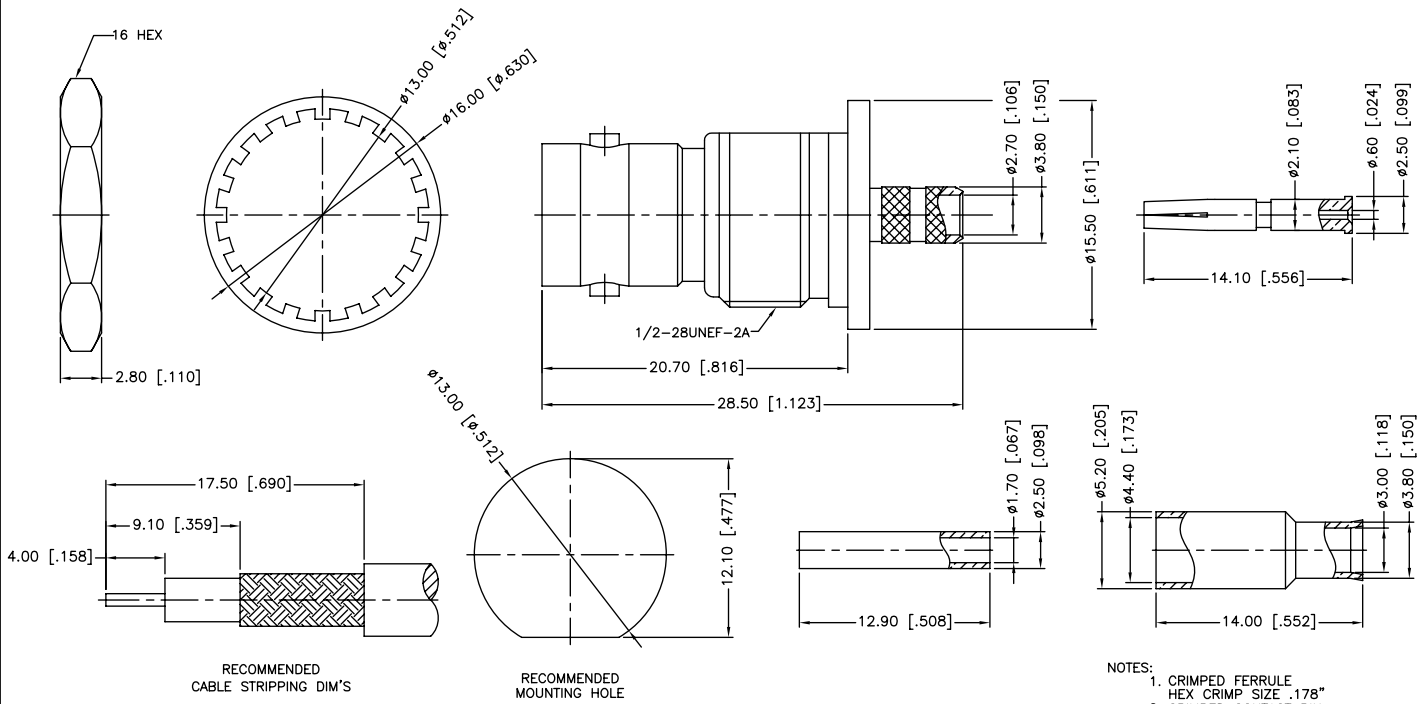
Click to view price, real time Inventory, Delivery & Lifecycle Information:

[Amphenol RF](#)
[112252](#)

For any questions, you can email us directly:

sales@integrated-circuit.com

REV.	DATE	ECR NO.	DESCRIPTION
A	02/10/10	XXXXXX	UPDATE DRAWING FORMAT



QTY	DESCRIPTION	MATERIAL	FINISH
10	FERRULE	COPPER	NICKEL
9	SLEEVE	DELTRIN	NATURAL
8	CONTACT PIN	PHOSPHOR BRONZE	GOLD
7	HEX NUT	BRASS	NICKEL
6	LOCK WASHER	BRASS	NICKEL
5	BARREL	BRASS	NICKEL
4	INSULATOR	DELTRIN	NATURAL
3	INSULATOR	PTFE	NATURAL
2	BODY	BRASS	NICKEL
1	HOUSING	BRASS	NICKEL

UNLESS OTHERWISE SPECIFIED DIMENSIONS ARE IN MILLIMETERS. DIMENSIONS IN [] ARE IN INCHES AND FOR CUSTOMER REFERENCE ONLY.

UNLESS OTHERWISE SPECIFIED TOLERANCES FOR MILLIMETERS ARE:
 0.5 - 8mm ± 0.20mm
 8 - 30mm ± 0.40mm
 30 - 120mm ± 0.50mm

UNLESS OTHERWISE SPECIFIED TOLERANCES FOR INCHES ARE:
 .020 - .315 = ± 0.007"
 .315 - 1.180 = ± 0.015"
 1.180 - 4.724 = ± 0.020"

DO NOT SCALE DRAWING

APPROVALS	DATE
DRAWN TANGOR	02/10/10
CHECKED	
ISSUED	
SHEET 1 OF 1	
CAD FILE C:/CONNEX/112252.DWG	

PART DESCRIPTION
Amphenol Connex BNC BULKHEAD ISOLATED CRIMP JACK (FOR RG-174/U,188A/U,316/U)
PART NO. 112252
DWG. NO. 112252.DWG
REV. A
SIZE A
SCALE NA