

## Excellent Integrated System Limited

Stocking Distributor

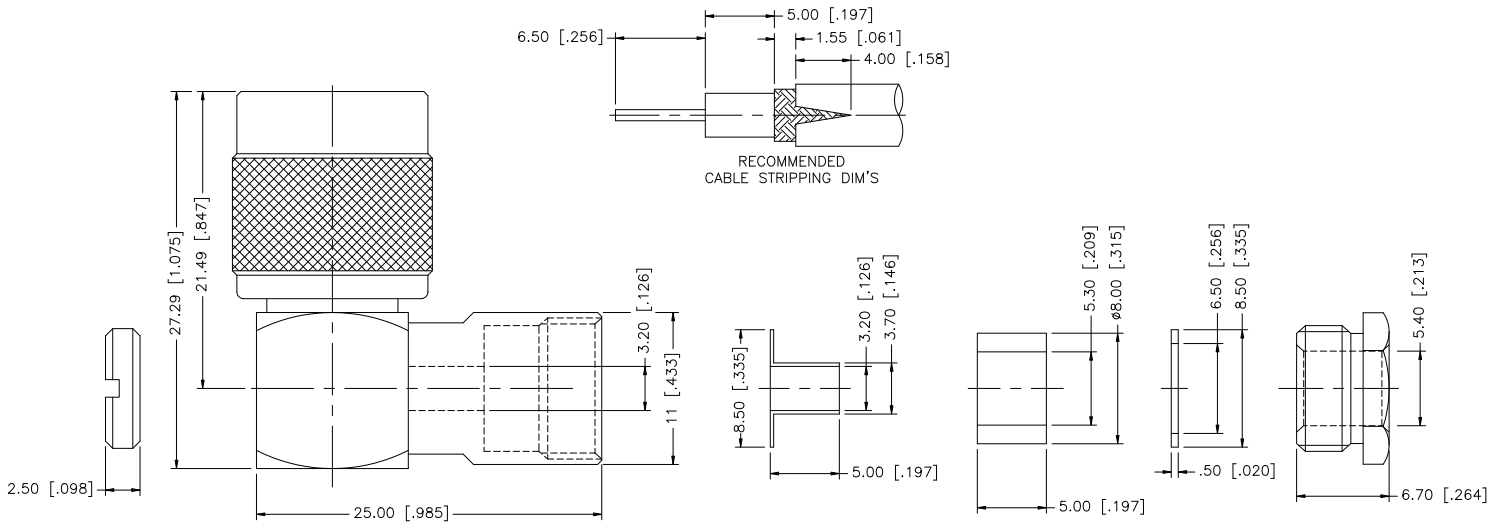
Click to view price, real time Inventory, Delivery & Lifecycle Information:

[Amphenol RF](#)  
[122286](#)

For any questions, you can email us directly:

[sales@integrated-circuit.com](mailto:sales@integrated-circuit.com)

REV.	DATE	DESCRIPTION
NC	09/29/99	INITIAL RELEASE
A	10/10/07	UPDATE DRAWING FORMAT



QTY	DESCRIPTION	MATERIAL	FINISH	DO NOT SCALE DRAWING	UNLESS OTHERWISE SPECIFIED DIMENSIONS ARE IN MILLIMETERS. DIMENSIONS IN [ ] ARE IN INCHES AND FOR CUSTOMER REFERENCE ONLY.	APPROVALS	DATE	Amphenol Connex	
8	COVER	BRASS	NICKEL	1	UNLESS OTHERWISE SPECIFIED DIMENSIONS ARE IN MILLIMETERS. DIMENSIONS IN [ ] ARE IN INCHES AND FOR CUSTOMER REFERENCE ONLY.  UNLESS OTHERWISE SPECIFIED TOLERANCES FOR MILLIMETERS ARE: 0.5 - 8mm ± 0.20mm 8 - 30mm ± 0.40mm 30 - 120mm ± 0.50mm  UNLESS OTHERWISE SPECIFIED TOLERANCES FOR INCHES ARE: .020 - .315 = ± 0.007" .315 - 1.180 = ± 0.015" 1.180 - 4.724 = ± 0.020"	DRAWN	G.R.S.	10/10/07	<b>TNC R/A CLAMP PLUG</b> <b>(FOR RG58/U, 141/U, 223/U, 142/U, 400/U CABLE)</b>
7	HEX NUT	BRASS	NICKEL	1		CHECKED			
6	WASHER	BRASS	NICKEL	1		ISSUED			
5	GASKET	SILICONE	RED	1		SHEET	1 OF 1		
4	TOP HAT	BRASS	NICKEL	1					
3	CONTACT PIN	BRASS	GOLD	1					
2	INSULATOR	DELTRIN	NATURAL	1					
1	BODY	BRASS	NICKEL	1					
	DESCRIPTION	MATERIAL	FINISH	QTY	DO NOT SCALE DRAWING	CAD FILE	C:/122/122286.DWG	<b>122286</b> DWG. NO. 122286.DWG REV. A SIZE A SCALE NA	