

Excellent Integrated System Limited

Stocking Distributor

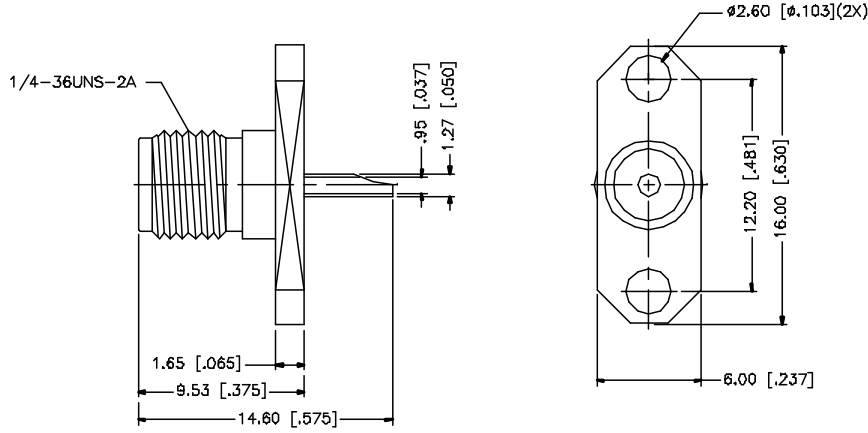
Click to view price, real time Inventory, Delivery & Lifecycle Information:

[Amphenol RF](#)
[132143](#)

For any questions, you can email us directly:

sales@integrated-circuit.com

REV.	DATE	DESCRIPTION
NC	05/01/04	INITIAL RELEASE



REV.	DESCRIPTION	MATERIAL	FINISH	QTY	APPROVALS	DATE	Amphenol Connex							
8					DRAWN	G.R.S.	05/01/04	PART DESCRIPTION SMA PANEL RECEPTACLE JACK						
7				CHECKED			PART NO. 132143							
6				ISSUED								DWG. NO. 132143.DWG		
5				SHEET	1 OF 1		REV. NC							
4														
3	CONTACT PIN	BER. COPPER	GOLD	1										
2	INSULATOR	TEFLON	NATURAL	1										
1	BODY	BRASS	GOLD	1										
DESCRIPTION MATERIAL FINISH QTY					CAD FILE C:/132/132143.DWG									

UNLESS OTHERWISE SPECIFIED DIMENSIONS ARE IN MILLIMETERS DIMENSIONS IN [] ARE IN INCHES AND FOR QUOTE/QUOTE RESERVE ONLY.

UNLESS OTHERWISE SPECIFIED TOLERANCES FOR MILLIMETERS ARE:
 0.5 - 8mm ± 0.20mm
 8 - 30mm ± 0.40mm
 30 - 120mm ± 0.50mm

UNLESS OTHERWISE SPECIFIED TOLERANCES FOR INCHES ARE:
 .020 - .315 = ± 0.007"
 .315 - 1.180 = ± 0.015"
 1.180 - 4.724 = ± 0.020"

DO NOT SCALE DRAWING