

## Excellent Integrated System Limited

Stocking Distributor

Click to view price, real time Inventory, Delivery & Lifecycle Information:

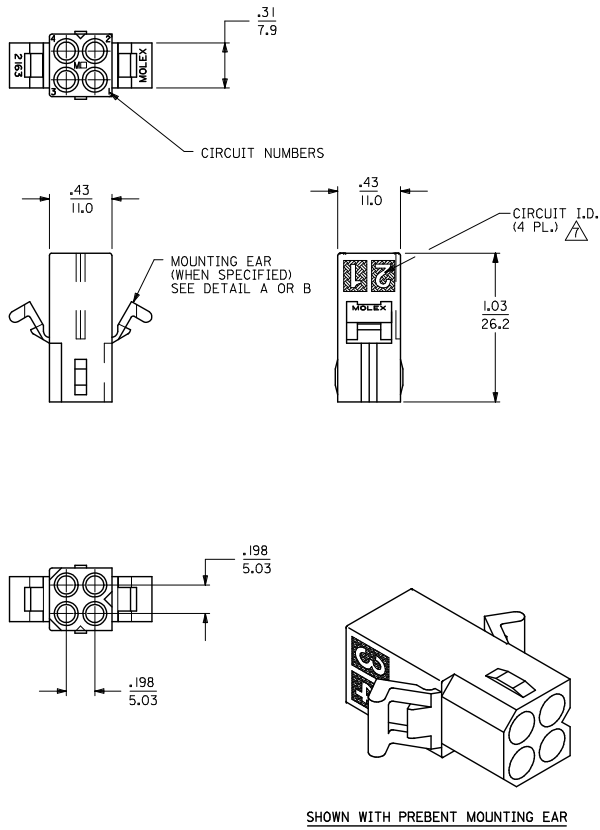
[Molex Connector Corporation](#)

[03-09-2040](#)

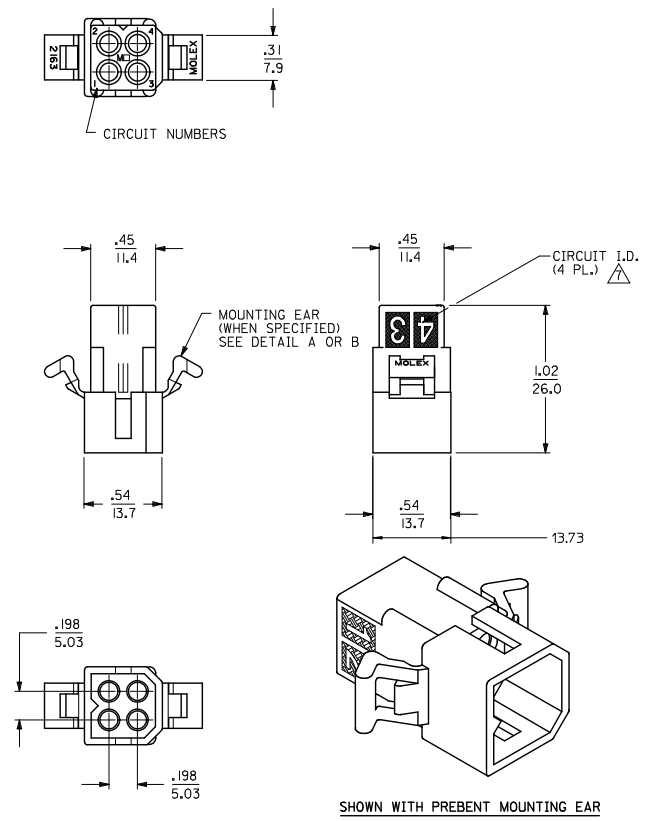
For any questions, you can email us directly:

[sales@integrated-circuit.com](mailto:sales@integrated-circuit.com)

**RECEPTACLE**



**PLUG**



<b>ADD PART NUMBERS</b> EC NO: UCP2015-0637 DRAWN BY: 2014/08/13 CHKD BY: 2014/08/13 APPROVED BY: 2014/10/10	<b>QUALITY SYMBOLS</b> 	<b>GENERAL TOLERANCES (UNLESS SPECIFIED)</b>		<b>DIMENSION STYLE</b> IN/MM	<b>SCALE</b> 2:1	<b>DESIGN UNITS</b> INCH	<b>THIRD ANGLE PROJECTION</b>
		4 PLACES ± .010 ± .014 3 PLACES ± .010 ± .014 2 PLACES ± 0.25 ± .014 1 PLACE ± 0.35 ± .014 0 PLACE ± .010 ± .014	DRAWN BY: KBW CHECKED BY: RW APPROVED BY: F SMITH DATE: 02/03/89 DATE: 02/03/89 DATE: 2014/06/23	<b>TITLE</b> .093/(2.36) HOUSINGS PLUG & RECEPTACLE 4 CKT., .198/(5.03) CL			
		ANGULAR ± .010 ± .014		MATERIAL NO. <b>SEE CHART</b>	DOCUMENT NO. SD-2163-*	SHEET NO. 1 OF 2	
		DRAFT WHERE APPLICABLE MUST REMAIN WITHIN DIMENSIONS		THIS DRAWING CONTAINS INFORMATION THAT IS PROPRIETARY TO MOLEX INCORPORATED AND SHOULD NOT BE USED WITHOUT WRITTEN PERMISSION			

PLUG	
ORDER NO	ENG NO
03-09-2040	2163-P
03-09-2049	2163-P1
46999-0652	2163-P2

RECEPTACLE	
ORDER NO	ENG NO
03-09-1040	2163-R
03-09-1049	2163-R1
03-09-6049	2163-R1BK
46999-0653	2163-R2

**LEGEND:**

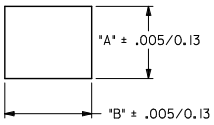
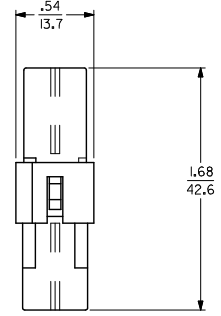
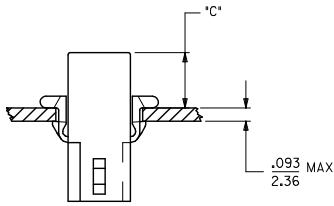
2163-\*\*\*\*

P = PLUG  
R = RECEPTACLE

BLANK = WITH STANDARD EARS  
1 = WITHOUT EARS  
2 = WITH PREBENT EARS  
3 = OBSOLETE  
4 = OBSOLETE

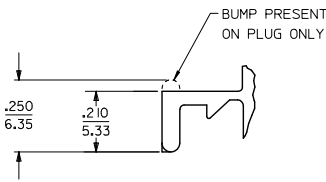
**COLOR:**

BLANK = NATURAL COLOR  
AM = AMBER BK = BLACK BU = BLUE  
BN = BROWN GY = GRAY GN = GREEN  
OR = ORANGE RD = RED YW = YELLOW  
UV = BLACK UV RESISTANT



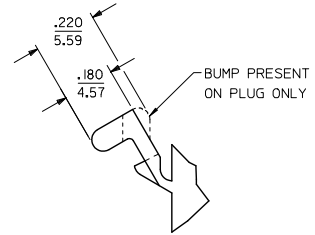
**RECOMMENDED PANEL OPENING**

HOUSING	DIM. "A"	DIM. "B"	"C" PREBENT EAR	"C" STANDARD EAR
PLUG	.555/14.10	.695/17.65	.42/10.7	.38/9.7
RECEPT.	.500/12.70	.600/15.24	.40/10.2	.37/9.4



**DETAIL A**

.093/(2.36) STANDARD MOUNTING EAR  
(SCALE 4:1)



**DETAIL B**

.093/(2.36) PREBENT MOUNTING EAR  
(SCALE 4:1)

**NOTES:**

- MATERIAL: NYLON 6/6 (PA), UL 94V-2.
- FINISH: NONE.
- PRODUCT SPECIFICATION: PS-02-09 APPLIES.
- PARTS TO BE PACKAGED PER PK-2163-001
- MATES WITH: SERIES 2163.
- ACCEPTS MOLEX .093 SERIES TERMINALS.
- ⚠️ CIRCUIT I.D. NUMBERS ON HOUSING APPEAR ON PARTS FROM TOOLS BUILT AFTER 7/22/91.
- PARTS CONFORM TO CLASS B REQUIREMENTS OF COSMETIC SPECIFICATION PS-45499-002

QUALITY SYMBOLS	GENERAL TOLERANCES (UNLESS SPECIFIED)		DIMENSION STYLE		SCALE	DESIGN UNITS	THIRD ANGLE PROJECTION
	mm	INCH	IN/MM	DATE	2:1	INCH	PROJECTION
▽=0	4 PLACES ±	---	DRAWN BY	02/03/89	<b>.093/(2.36) HOUSINGS PLUG &amp; RECEPTACLE 4 CKT., .198/(5.03) CL</b>  <b>molex</b> SD-2163-*		
▽=0	3 PLACES ±	±.010	CHECKED BY	DATE			
▽=0	2 PLACES ±	0.25 ±.014	APPROVED BY	DATE			
▽=0	1 PLACE ±	0.35 ±	DATE	2014/06/23			
ANGULAR ±	---		MATERIAL NO.	DOCUMENT NO.		SHEET NO.	
DRAFT WHERE APPLICABLE MUST REMAIN WITHIN DIMENSIONS			SEE CHART		SD-2163-*		2 OF 2
THIS DRAWING CONTAINS INFORMATION THAT IS PROPRIETARY TO MOLEX INCORPORATED AND SHOULD NOT BE USED WITHOUT WRITTEN PERMISSION							