

## Excellent Integrated System Limited

Stocking Distributor

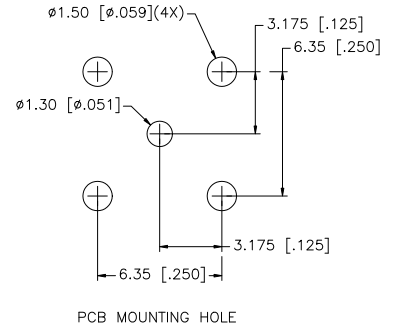
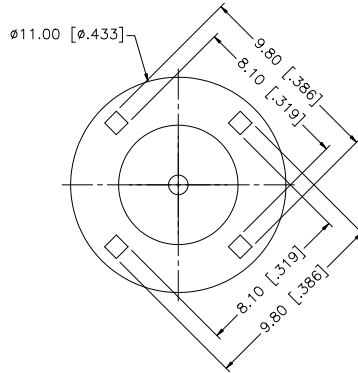
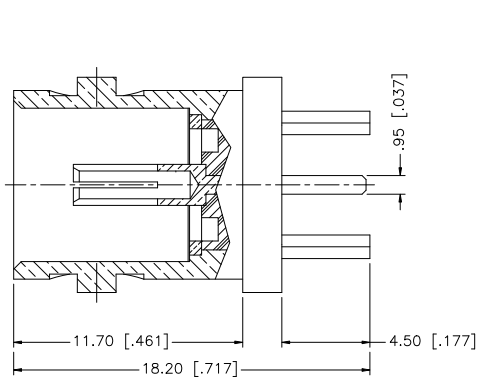
Click to view price, real time Inventory, Delivery & Lifecycle Information:

[Amphenol RF](#)  
[112405](#)

For any questions, you can email us directly:

[sales@integrated-circuit.com](mailto:sales@integrated-circuit.com)

REV.	DATE	ECR NO.	DESCRIPTION
A	04/05/03	-	UPDATE DRAWING FORMAT
B	06/12/08	100030	ADD BODY CROSS SECTION



REV.	DATE	ECR NO.	DESCRIPTION
8			
7			
6			
5			
4			
3			
2			
1			

LOCK RING	BRASS	NICKEL	1
CONTACT PIN	PHOS. BRONZE	GOLD	1
INSULATOR	PTFE	NATURAL	1
BODY	BRASS	NICKEL	1

DESCRIPTION	MATERIAL	FINISH	QTY

UNLESS OTHERWISE SPECIFIED DIMENSIONS ARE IN MILLIMETERS. DIMENSIONS IN [ ] ARE IN INCHES AND FOR CUSTOMER REFERENCE ONLY.		APPROVALS	DATE
UNLESS OTHERWISE SPECIFIED TOLERANCES FOR MILLIMETERS ARE: 0.5 - 8mm ± 0.20mm 8 - 30mm ± 0.40mm 30 - 120mm ± 0.50mm		DRAWN	06/12/08
UNLESS OTHERWISE SPECIFIED TOLERANCES FOR INCHES ARE: .020 - .315 = ± 0.007" .315 - 1.180 = ± 0.015" 1.180 - 4.724 = ± 0.020"		CHECKED	
DO NOT SCALE DRAWING		ISSUED	
		SHEET	1 OF 1
		CAD FILE	C:/112/112405.DWG

<b>Amphenol Connex</b>			
PART DESCRIPTION BNC STRAIGHT P.C.B. RECEPT. JACK (4 POST - 75 ohm)			
PART NO. 112405			
DWG. NO.	REV.	SIZE	SCALE
112405.DWG	B	A	NA