



Excellent Integrated System Limited

Stocking Distributor

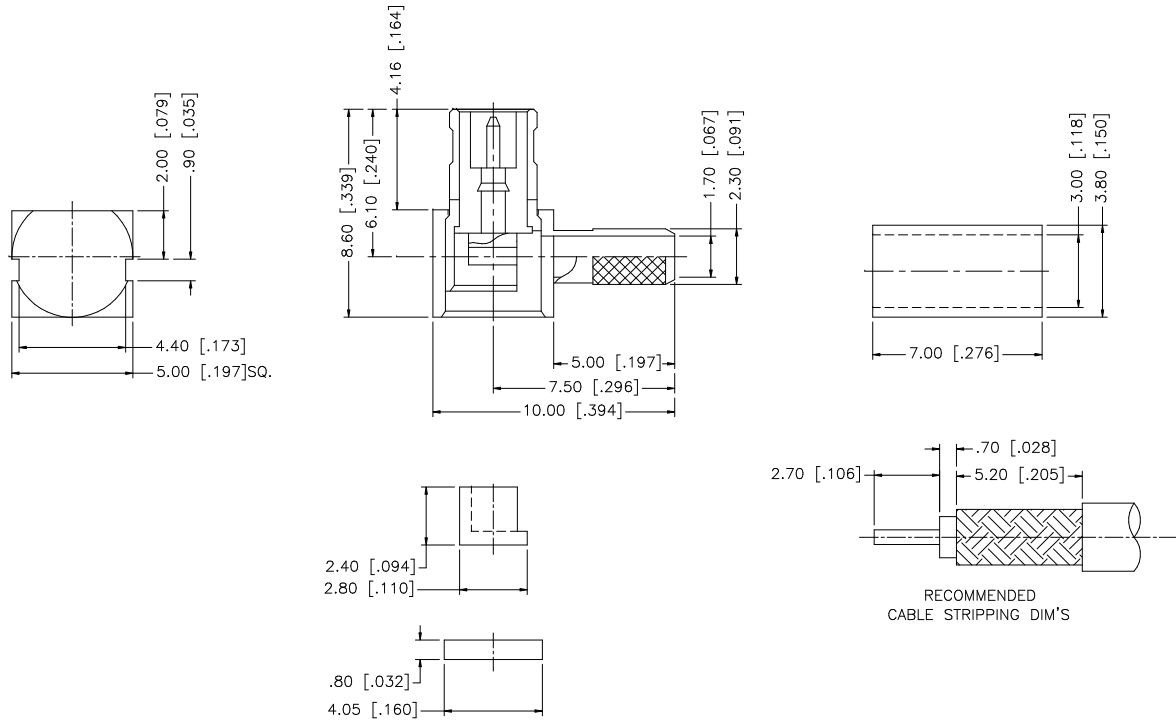
Click to view price, real time Inventory, Delivery & Lifecycle Information:

[Amphenol RF](#)
[252102-75](#)

For any questions, you can email us directly:

sales@integrated-circuit.com

REV.	DATE	DESCRIPTION
A	01/30/04	UPDATE DRAWING FORMAT



- NOTE:
1. CRIMPED FERRULE
HEX CRIMP SIZE .128"
 2. CONTACT PIN TO SOLDER

DESCRIPTION	MATERIAL	FINISH	QTY	UNLESS OTHERWISE SPECIFIED DIMENSIONS ARE IN MILLIMETERS. DIMENSIONS IN [] ARE IN INCHES AND FOR CUSTOMER REFERENCE ONLY.	APPROVALS	DATE	Amphenol Connex			
8							PART DESCRIPTION MCX R/A CRIMP PLUG (FOR RG-179/U, 187A/U CABLE)			
7						PART NO. 252102-75				
6	FERRULE	COPPER	GOLD	1	UNLESS OTHERWISE SPECIFIED TOLERANCES FOR MILLIMETERS ARE: 0.5 - 8mm ± 0.20mm 8 - 30mm ± 0.40mm 30 - 120mm ± 0.50mm	DRAWN G.R.S.	01/30/04	DWG. NO. 252102-75.DWG		
5	COVER	BRASS	GOLD	1	UNLESS OTHERWISE SPECIFIED TOLERANCES FOR INCHES ARE: .020 - .315 = ± 0.007" .315 - 1.180 = ± 0.015" 1.180 - 4.724 = ± 0.020"	CHECKED				
4	INSULATOR	DELTRIN	NATURAL	1	DO NOT SCALE DRAWING	ISSUED		C:/252/252102-75.DWG		
3	CONTACT PIN	BRASS	GOLD	1		SHEET 1 OF 1				
2	INSULATOR	TEFLON	NATURAL	1		CAD FILE				
1	BODY	BER. COPPER	GOLD	1						