

Excellent Integrated System Limited

Stocking Distributor

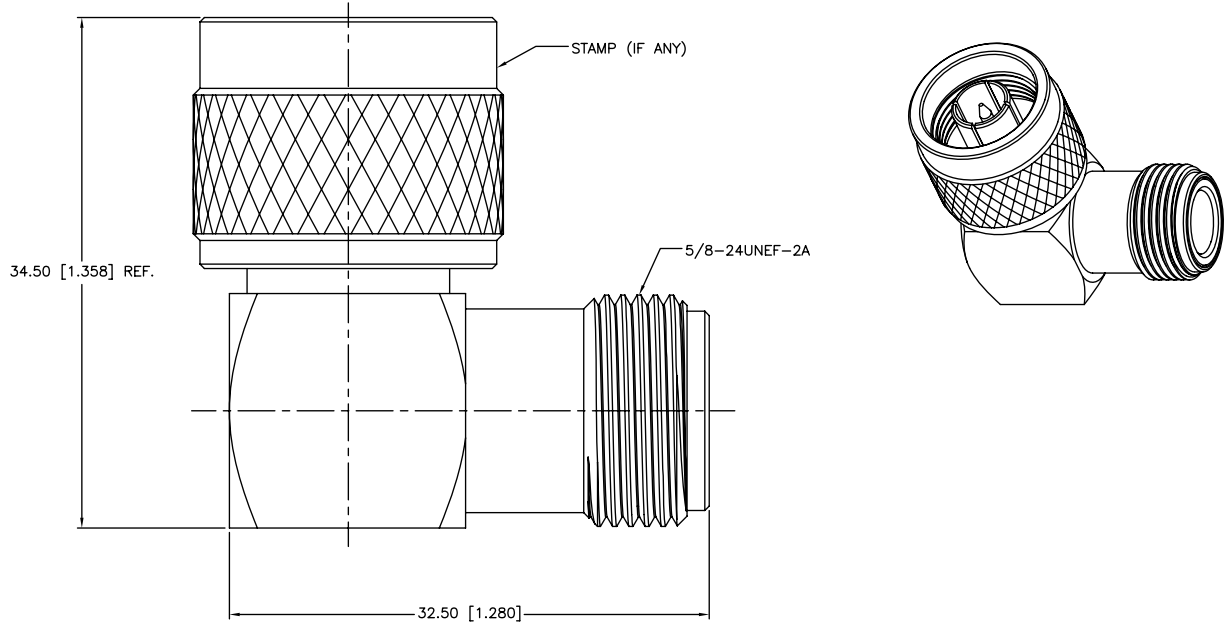
Click to view price, real time Inventory, Delivery & Lifecycle Information:

[Amphenol RF](#)
[172193](#)

For any questions, you can email us directly:

sales@integrated-circuit.com

REV.	DATE	ECR NO.	DESCRIPTION
NC	03/16/09	XXXXXX	INITIAL RELEASE
A	11/05/13	2548	UPDATE DRAWING FORMAT, UPDATE VENDOR DRAWING



1. IMPEDANCE: 50 OHM
2. FREQUENCY RANGE: 0-11 GHZ
3. DIELECTRIC WITHSTANDING VOLTAGE: 2500 VRMS, MIN.
4. DURABILITY: 500 CYCLES MIN.
5. TEMPERATURE RANGE: -65°C TO +165°C

QTY	DESCRIPTION	MATERIAL	FINISH	QTY	DO NOT SCALE DRAWING	APPROVALS	DATE	<p style="text-align: center;">Amphenol Connex</p> <p style="text-align: center;">PART DESCRIPTION</p> <p style="text-align: center;">N MALE TO FEMALE RIGHT ANGLE ADAPTER</p> <p style="text-align: center;">PART NO. 172193</p> <p style="text-align: center;">DWG. NO. 172193.DWG</p>	REV.	SIZE	SCALE		
1	INSULATOR	PTFE	NATURAL	1	<small>UNLESS OTHERWISE SPECIFIED DIMENSIONS ARE IN MILLIMETERS; DIMENSIONS IN [] ARE IN INCHES AND FOR CUSTOMER REFERENCE ONLY.</small> <small>UNLESS OTHERWISE SPECIFIED TOLERANCES FOR MILLIMETERS ARE:</small> <0.5 ± 0.05mm 0.5 - 6mm ± 0.10mm 6 - 30mm ± 0.20mm 30 - 120mm ± 0.30mm ANGLES ± 1° <small>UNLESS OTHERWISE SPECIFIED TOLERANCES FOR INCHES ARE:</small> <.020 ± 0.002" .020 - .236 = ± 0.004" .236 - 1.180 = ± 0.007" 1.180 - 4.724 = ± 0.012" ANGLES ± 1°	DRAWN	M.ZHANG		11/05/13				
1	CONTACT BODY	BRASS	NEXCOTE	1		CHECKED							
1	CONTACT PIN	PHOSPHOR BRONZE	GOLD	1		ISSUED							
1	HOUSING WITH BODY	BRASS	NEXCOTE	1		SHEET	1 OF 1						
	DESCRIPTION	MATERIAL	FINISH	QTY	DO NOT SCALE DRAWING	CAD FILE	C:/CONNEX/172193.DWG						