

Excellent Integrated System Limited

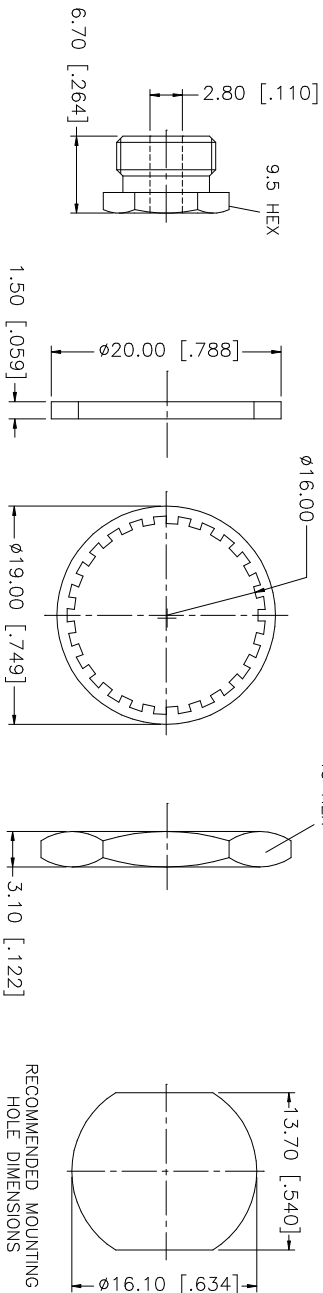
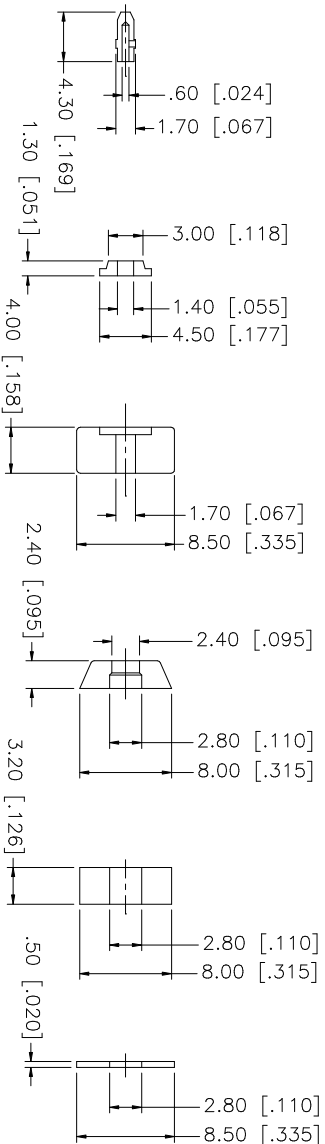
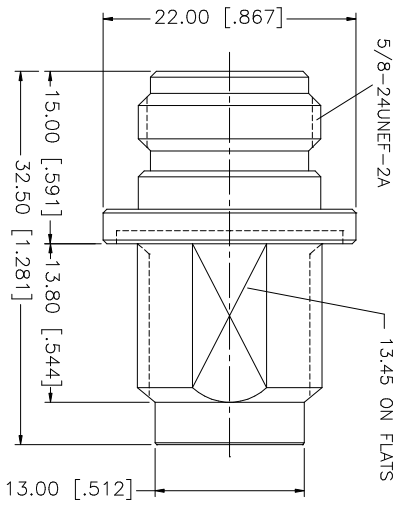
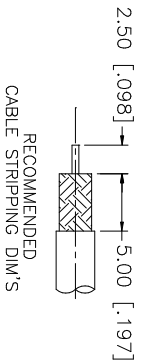
Stocking Distributor

Click to view price, real time Inventory, Delivery & Lifecycle Information:

[Amphenol RF](#)
[172223](#)

For any questions, you can email us directly:

sales@integrated-circuit.com



12	HEX NUT	BRASS	NEXCOTE	1
11	WASHER	BRASS	NEXCOTE	1
10	GASKET	SILICONE	RED	1
9	HEX NUT	BRASS	NEXCOTE	1
8	WASHER	BRASS	NEXCOTE	1
7	GASKET	SILICONE	RED	1
6	TOP HAT	BRASS	NEXCOTE	1
5	BRAD CLAMP	BRASS	NEXCOTE	1
4	INSULATOR	TEFLON	NATURAL	1
3	CONTACT PIN	BRASS	GOLD	1
2	INSULATOR	TEFLON	NATURAL	1
1	BODY	BRASS	NEXCOTE	1
	DESCRIPTION	MATERIAL	FINISH	QTY

UNLESS OTHERWISE SPECIFIED DIMENSIONS ARE IN MILLIMETERS DIMENSIONS IN [] ARE IN INCHES AND FOR CUSTOMER REFERENCE ONLY. TOLERANCES FOR MILLIMETERS ARE:
 0.5 - 8mm ± 0.20mm
 8 - 30mm ± 0.40mm
 30 - 120mm ± 0.50mm
 UNLESS OTHERWISE SPECIFIED TOLERANCES FOR INCHES ARE:
 .020 - .315 = ± 0.007"
 .315 - 1.180 = ± 0.015"
 1.180 - 4.724 = ± 0.020"

APPROVALS	DATE
DRAWN G.R.S.	07/31/05
CHECKED	
ISSUED	
SHEET 1 OF 1	

Amphenol Connex

PART DESCRIPTION
 N FRONT MOUNT BULKHEAD JACK CLAMP
 (FOR RG-174/U, 188/U, 316/U CABLE)

PART NO. 172223

DO NOT SCALE DRAWING

CAD FILE C:/172/172223.DWG

DWG. NO. 172223.DWG

REV. A

SIZE A

SCALE NA

REV.	DATE	DESCRIPTION
NC	06/22/99	INITIAL RELEASE
A	07/31/05	UPDATE DRAWING FORMAT AND PLATING SPEC.