

Excellent Integrated System Limited

Stocking Distributor

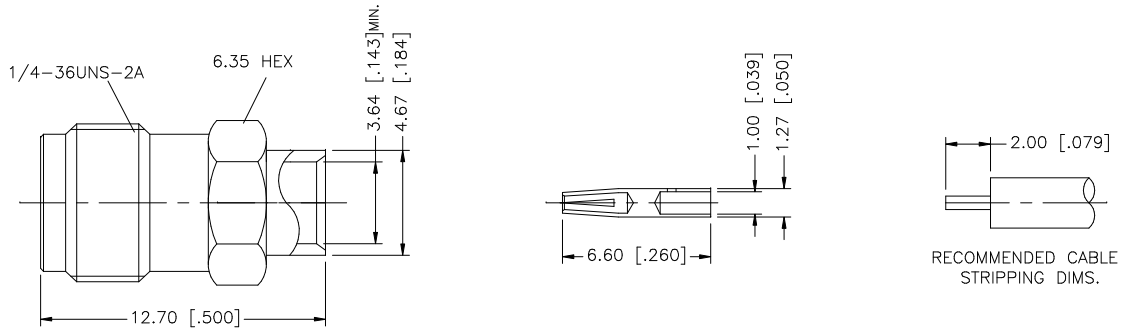
Click to view price, real time Inventory, Delivery & Lifecycle Information:

[Amphenol RF](#)
[132104](#)

For any questions, you can email us directly:

sales@integrated-circuit.com

REV.	DATE	DESCRIPTION
NC	04/31/03	INITIAL RELEASE
A	10/27/05	MODIFY - INSULATOR NOW INTERNAL



REV.	DATE	DESCRIPTION
8		
7		
6		
5		
4		
3		
2		
1		

DESCRIPTION	MATERIAL	FINISH	QTY
CONTACT PIN	BER. COPPER	GOLD	1
INSULATOR	TEFLON	NATURAL	1
BODY	BRASS	GOLD	1

APPROVALS	DATE
DRAWN G.R.S.	10/27/05
CHECKED	
ISSUED	
SHEET 1 OF 1	

PART DESCRIPTION	PART NO.
SMA DIRECT SOLDER JACK (FOR .141" SEMI-RIGID CABLE)	132104

CAD FILE	DWG. NO.	REV.	SIZE	SCALE
C:/132/132104.DWG	132104.DWG	A	A	NA

UNLESS OTHERWISE SPECIFIED DIMENSIONS ARE IN MILLIMETERS; DIMENSIONS IN () ARE IN INCHES AND TOP CUSTOMER PREFERENCE ONLY.
 UNLESS OTHERWISE SPECIFIED TOLERANCES FOR MILLIMETERS ARE:
 0.5 - 8mm ± 0.20mm
 8 - 30mm ± 0.40mm
 30 - 120mm ± 0.50mm
 UNLESS OTHERWISE SPECIFIED TOLERANCES FOR INCHES ARE:
 .020 - .315 = ± 0.007"
 .315 - 1.180 = ± 0.015"
 1.180 - 4.724 = ± 0.020"

Amphenol Connex

PART DESCRIPTION	PART NO.
SMA DIRECT SOLDER JACK (FOR .141" SEMI-RIGID CABLE)	132104

DESCRIPTION	MATERIAL	FINISH	QTY	CAD FILE	DWG. NO.	REV.	SIZE	SCALE
				C:/132/132104.DWG	132104.DWG	A	A	NA