

Excellent Integrated System Limited

Stocking Distributor

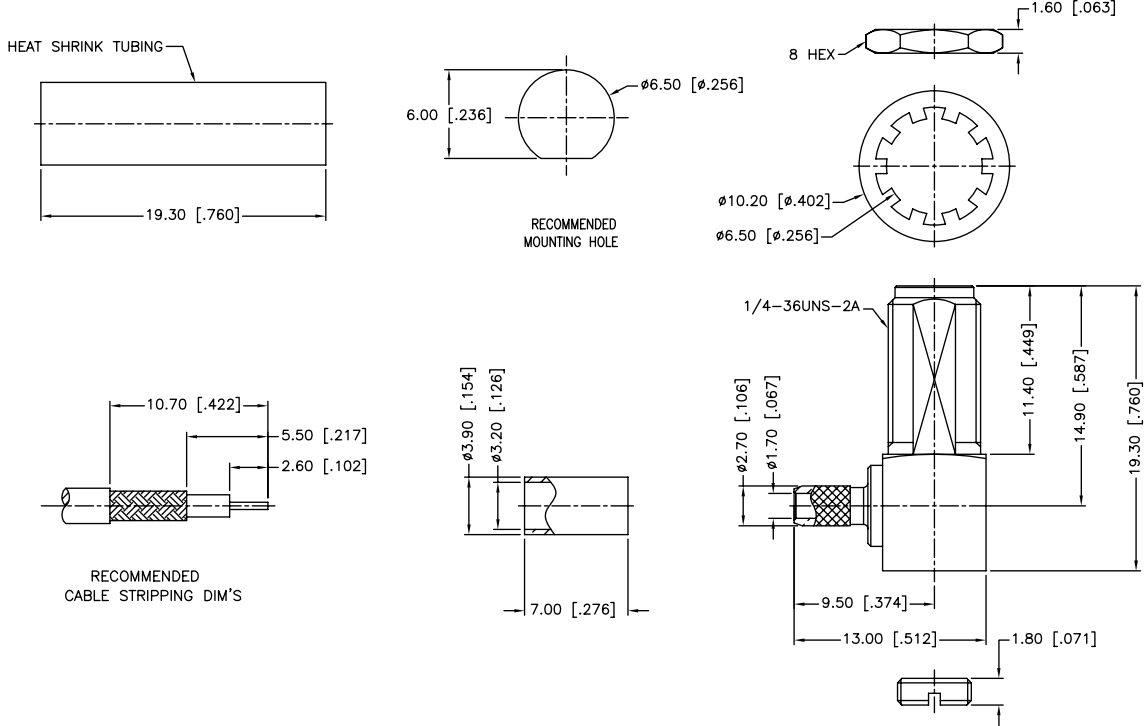
Click to view price, real time Inventory, Delivery & Lifecycle Information:

[Amphenol RF](#)
[132245](#)

For any questions, you can email us directly:

sales@integrated-circuit.com

REV.	DATE	ECR NO.	DESCRIPTION
A	11/26/03	XXXXXX	UPDATE DRAWING FORMAT
B	03/05/07	XXXXXX	REVISE BARREL AND FERRULE DIMENSION
C	10/28/07	XXXXXX	ADD CRIMP NOTES
D	06/18/09	XXXXXX	DIRECTION OF THE CRIMPING WAS CHANGED



1. CRIMPED FERRULE
HEX CRIMP SIZE 128"
2. CONTACT PIN TO SOLDER
3. MAX. PANEL THICKNESS=3.2MM

QTY	DESCRIPTION	MATERIAL	FINISH
8	HEAT SHRINK TUBING		
7	FERRULE	BRASS	GOLD
6	COVER	BRASS	GOLD
5	HEX NUT	BRASS	GOLD
4	LOCK WASHER	BRASS	GOLD
3	CONTACT PIN	BER. COPPER	GOLD
2	INSULATOR	PTFE	NATURAL
1	BODY WITH BARREL	BRASS	GOLD
	DESCRIPTION	MATERIAL	FINISH

APPROVALS	DATE
DRAWN M.ZHANG	06/18/09
CHECKED	
ISSUED	
SHEET 1 OF 1	
CAD FILE	C:/CONNEX/132245.DWG

PART DESCRIPTION			
Amphenol Connex			
SMA R/A BULKHEAD JACK (FOR RG-174/U,188A/U,316/U)			
PART NO.		132245	
DWG. NO.	132245.DWG	REV.	D
SIZE	A	SCALE	NA

UNLESS OTHERWISE SPECIFIED DIMENSIONS ARE IN MILLIMETERS. DIMENSIONS IN [] ARE IN INCHES AND FOR CUSTOMER REFERENCE ONLY.
 UNLESS OTHERWISE SPECIFIED TOLERANCES FOR MILLIMETERS ARE:
 0.5 - 8mm ± 0.20mm
 8 - 30mm ± 0.40mm
 30 - 120mm ± 0.50mm
 UNLESS OTHERWISE SPECIFIED TOLERANCES FOR INCHES ARE:
 .020 - .315 = ± 0.007"
 .315 - 1.180 = ± 0.015"
 1.180 - 4.724 = ± 0.020"
 DO NOT SCALE DRAWING