

Excellent Integrated System Limited

Stocking Distributor

Click to view price, real time Inventory, Delivery & Lifecycle Information:

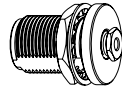
[Amphenol RF](#)
[172143-10](#)

For any questions, you can email us directly:

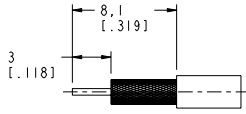
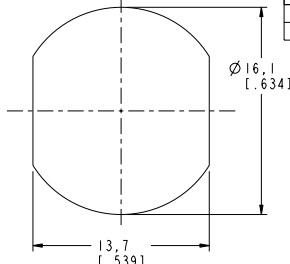
sales@integrated-circuit.com

NOTES:

- MATERIALS AND FINISHES:
 BODY - BRASS, ALBALOY PLATING
 CONTACT - BERYLLIUM COPPER & BRASS, GOLD PLATING
 INSULATOR - PTFE, NATURAL
 GASKETS - SILICONE RUBBER
- ELECTRICAL:
 A. IMPEDANCE: 50 OHM
 B. FREQUENCY RANGE: DC-3 GHz
 C. DIELECTRIC WITHSTANDING VOLTAGE: 900 VRMS, MIN.
- MECHANICAL:
 A. DURABILITY: 500 CYCLES, MIN.
 B. TEMPERATURE RANGE: -65°C TO 165°C
- CONTACT PIN TO SOLDER
- MAX. PANEL THICKNESS=6.5MM

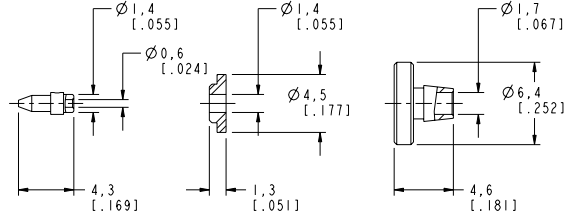
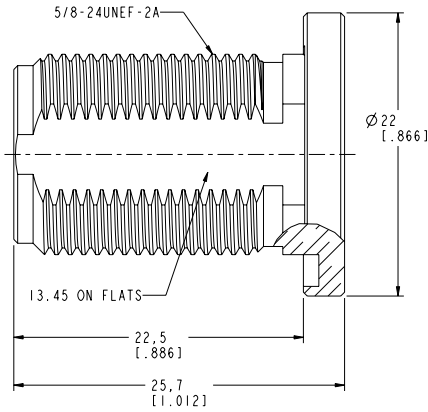
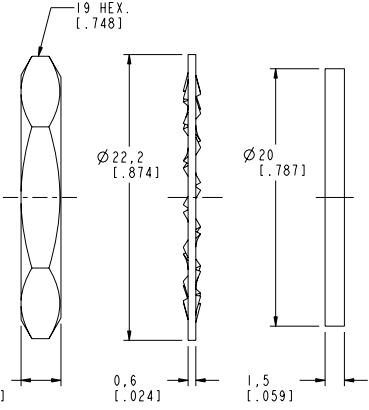
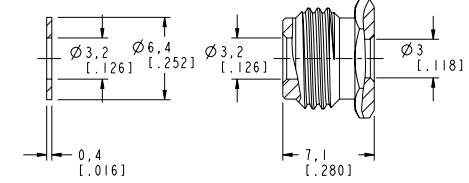


SCALE 1.000



RECOMMENDED CABLE STRIPPING DIMENSIONS

RECOMMENDED MOUNTING HOLE DIMENSIONS



CUSTOMER OUTLINE DRAWING
 ALL OTHER SHEETS ARE FOR INTERNAL USE ONLY

UNLESS OTHERWISE SPECIFIED, DIMENSIONS ARE IN METRIC AND TOLERANCES ARE:
 $\pm 0.5\text{mm}$ ± 0.5 - 6mm ± 0.5 - 30mm ± 0.5 - 120mm ANGLES $\pm 1^\circ$
 $\pm 0.05\text{mm}$ $\pm 0.1\text{mm}$ $\pm 0.2\text{mm}$ $\pm 0.3\text{mm}$ $\pm 1^\circ$
 NOTICE - These drawings, specifications, or other data (1) are, and remain the property of Amphenol Corp. (2) must be returned upon request; and (3) are confidential and not to be disclosed to any person other than those to whom they are given by Amphenol Corp. The furnishing of these drawings, specifications, or other data by Amphenol Corp., or to any other person to anyone for any purpose is not to be regarded by implication or otherwise in any manner licensing, granting rights to permitting such holder or any other person to manufacture, use or sell any product, process or design, patented or otherwise, that may in any way be related to or disclosed by said drawings, specifications, or other data.

MATERIAL	DRAWN	DATE
	M. ZHANG	15-Apr-14
REFERENCE	ENGINEER	DATE
ARFA P/N: N6441H1-002-AT30GA-316U-50	F. WANG	22-Mar-12
CONFIGURATION LEVEL:	APPROVED	DATE
	S. HSIEH	15-Apr-14
FINISH	CAD FILE	

TITLE	SCALE: 3.5:1.0	SHEET 3 OF 3
N BULKHEAD CLAMP JACK (FOR RG-174/U, 188A/U, 316/U CABLE)	DWG SIZE B	REV B

Amphenol Connex	DRAWING NO.
	ITEM NO.
	PART NO. 172143-10