

## **Excellent Integrated System Limited**

Stocking Distributor

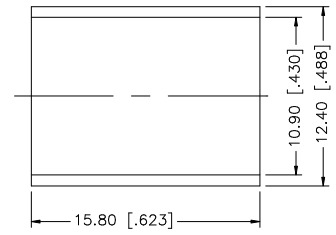
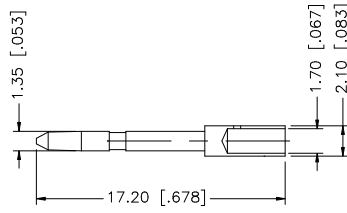
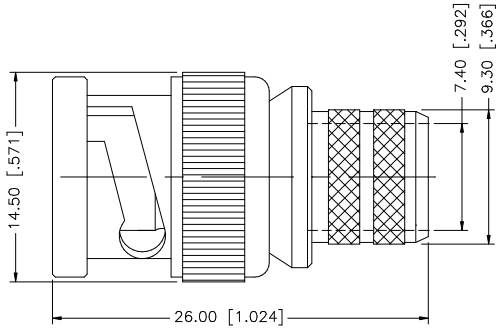
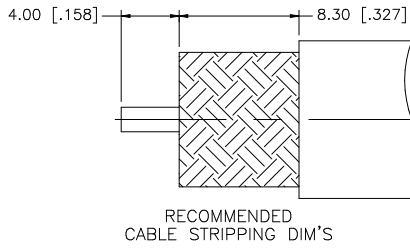
Click to view price, real time Inventory, Delivery & Lifecycle Information:

[Amphenol RF](#)  
[112606](#)

For any questions, you can email us directly:

[sales@integrated-circuit.com](mailto:sales@integrated-circuit.com)

REV.	DATE	DESCRIPTION
NC	05/24/05	INITIAL RELEASE
A	10/01/06	UPDATE DRAWING FORMAT



8					UNLESS OTHERWISE SPECIFIED DIMENSIONS ARE IN MILLIMETERS. DIMENSIONS IN [ ] ARE IN INCHES AND FOR CUSTOMER REFERENCE ONLY.	APPROVALS	DATE	<b>Amphenol Connex</b>			
7					UNLESS OTHERWISE SPECIFIED TOLERANCES FOR MILLIMETERS ARE:	DRAWN	G.R.S.				10/02/06
6					0.5 – 8mm ± 0.20mm	CHECKED			PART NO. <b>112606</b>		
5					8 – 30mm ± 0.40mm	ISSUED					
4	FERRULE	COPPER	NICKEL	1	30 – 120mm ± 0.50mm	SHEET	1 OF 1		REV. A	SIZE A	SCALE NA
3	CONTACT PIN	BRASS	GOLD	1	UNLESS OTHERWISE SPECIFIED TOLERANCES FOR INCHES ARE:	CAD FILE C:/112/112606.DWG					
2	INSULATOR	TEFLON	NATURAL	1	.020 – .315 = ± 0.007"	DO NOT SCALE DRAWING					
1	BODY	BRASS	NICKEL	1	.315 – 1.180 = ± 0.015"						
	DESCRIPTION	MATERIAL	FINISH	QTY	1.180 – 4.724 = ± 0.020"						