

Excellent Integrated System Limited

Stocking Distributor

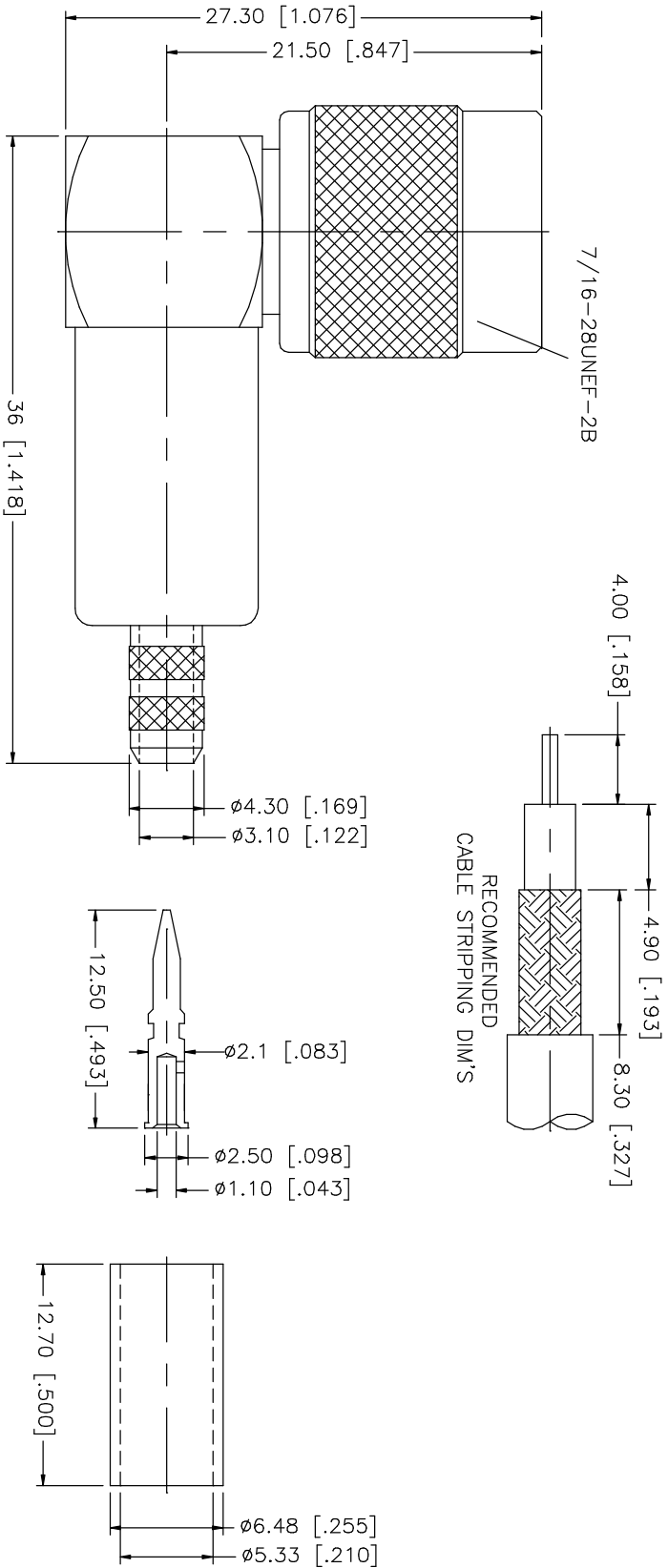
Click to view price, real time Inventory, Delivery & Lifecycle Information:

[Amphenol RF](#)
[122150](#)

For any questions, you can email us directly:

sales@integrated-circuit.com

REV.	DATE	DESCRIPTION
A	11/25/02	CHANGE INSULATOR TO DELRIN



- CRIMP NOTES:
1. CRIMPED FERRULE
HEX CRIMP SIZE .213"
 2. CRIMPED CONTACT PIN
HEX CRIMP SIZE .068"

8	UNLESS OTHERWISE SPECIFIED DIMENSIONS ARE IN MILLIMETERS	APPROVALS	DATE	TITLE			
7	DIMENSIONS IN [] ARE IN INCHES FOR CUSTOMER REFERENCE ONLY <td>DRAWN</td> <td>11/25/02</td> <td colspan="4" rowspan="3">TNC R/A CRIMP PLUG</td>	DRAWN	11/25/02	TNC R/A CRIMP PLUG			
6		CHECKED					
5		ISSUED					
4	FERRULE	COPPER	NICKEL	Amphenol - Connex CONNECTOR CORPORATION			
3	CONTACT PIN	PHOS. BRONZE	GOLD				
2	INSULATOR	DELRIN	NATURAL				
1	BODY	BRASS	NICKEL	SIZE	FSCM NO.	DWG. NO.	REV.
DESCRIPTION	MATERIAL	FINISH	DO NOT SCALE DRAWING	A	99001	122150.DWG	A
				SCALE	NA	PART NO.	SHEET
						122150	1 OF 1