

Excellent Integrated System Limited

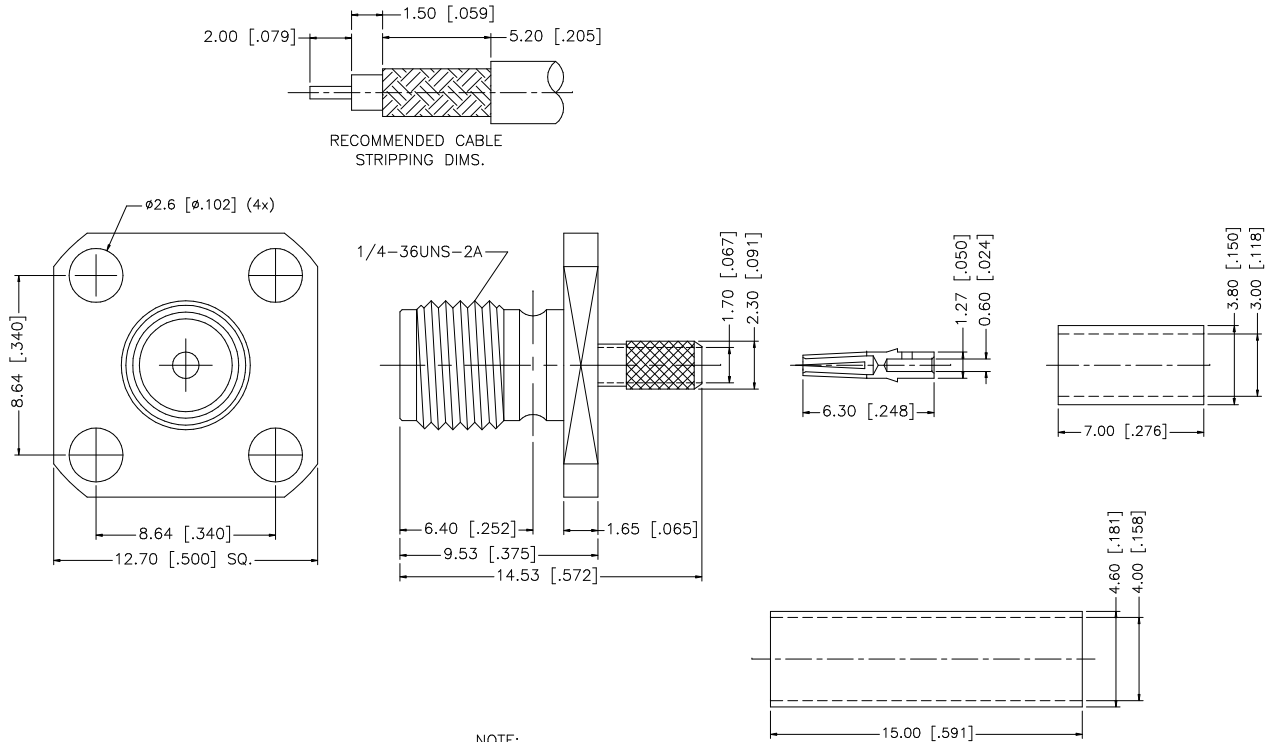
Stocking Distributor

Click to view price, real time Inventory, Delivery & Lifecycle Information:

[Amphenol RF](#)
[132121](#)

For any questions, you can email us directly:
sales@integrated-circuit.com

REV.	DATE	DESCRIPTION
NC	02/24/03	INITIAL RELEASE



DESCRIPTION	MATERIAL	FINISH	QTY	UNLESS OTHERWISE SPECIFIED DIMENSIONS ARE IN MILLIMETERS. DIMENSIONS IN [] ARE IN INCHES AND FOR CUSTOMER REFERENCE ONLY.	APPROVALS	DATE	Amphenol Connex							
8					DRAWN	G.R.S.	02/24/03	SMA PANEL CRIMP JACK (FOR RG-174/U, 188A/U, 316/U)						
7					CHECKED		PART DESCRIPTION							
6					ISSUED		PART NO.							
5	HEAT SHRINK TUBE		1		SHEET	1 OF 1	132121							
4	FERRULE	COPPER	GOLD	1	CAD FILE	C:/132/132121.DWG	DWG. NO.				132121.DWG	REV.	NC	SIZE
3	CONTACT PIN	BER. COPPER	GOLD	1	UNLESS OTHERWISE SPECIFIED DIMENSIONS ARE IN MILLIMETERS. DIMENSIONS IN [] ARE IN INCHES AND FOR CUSTOMER REFERENCE ONLY. UNLESS OTHERWISE SPECIFIED TOLERANCES FOR MILLIMETERS ARE: 0.5 - 8mm ± 0.20mm 8 - 30mm ± 0.40mm 30 - 120mm ± 0.50mm UNLESS OTHERWISE SPECIFIED TOLERANCES FOR INCHES ARE: .020 - .315 = ± 0.007" .315 - 1.180 = ± 0.015" 1.180 - 4.724 = ± 0.020"									
2	INSULATOR	TEFLON	NATURAL	1	DO NOT SCALE DRAWING									
1	BODY	BRASS	GOLD	1										