

Excellent Integrated System Limited

Stocking Distributor

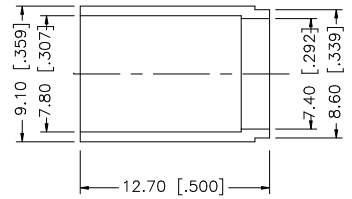
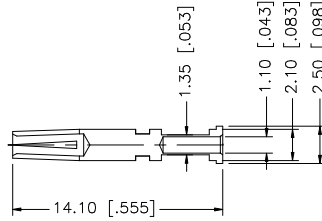
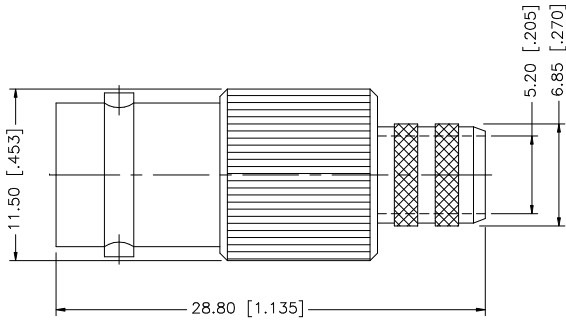
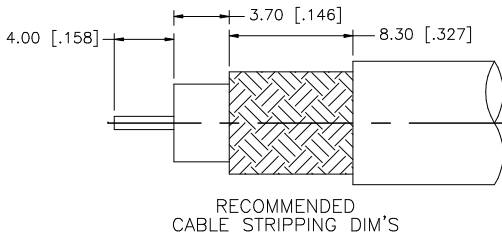
Click to view price, real time Inventory, Delivery & Lifecycle Information:

[Amphenol RF](#)
[112965](#)

For any questions, you can email us directly:

sales@integrated-circuit.com

REV.	DATE	DESCRIPTION
A	03/18/05	UPDATE DRAWING FORMAT



NOTE:
 USE .320 HEX DIE SET
 FOR OUTER CRIMP.
 CONNEX P/N 47-10100
 IDEAL P/N 30-503

DESCRIPTION	MATERIAL	FINISH	QTY	APPROVALS	DATE	<h2 style="color: blue; margin: 0;">Amphenol Connex</h2>
8				DRAWN	03/18/05	
7				CHECKED		
6				ISSUED		PART NO. 112965
5	FERRULE	COPPER	NICKEL	1		
4	CONTACT PIN	PHOS. BRONZE	GOLD	1		DWG. NO. 112965.DWG
3	INSULATOR	TEFLON	NATURAL	1		
2	BODY	BRASS	NICKEL	1		REV. A SIZE A SCALE NA
1	HOUSING	BRASS	NICKEL	1		
<small>UNLESS OTHERWISE SPECIFIED DIMENSIONS ARE IN MILLIMETERS. DIMENSIONS IN [] ARE IN INCHES AND FOR CUSTOMER REFERENCE ONLY.</small> <small>UNLESS OTHERWISE SPECIFIED TOLERANCES FOR MILLIMETERS ARE: 0.5 - 8mm ± 0.20mm 8 - 30mm ± 0.40mm 30 - 120mm ± 0.50mm</small> <small>UNLESS OTHERWISE SPECIFIED TOLERANCES FOR INCHES ARE: .020 - .315 = ± 0.007" .315 - 1.180 = ± 0.015" 1.180 - 4.724 = ± 0.020"</small>				DO NOT SCALE DRAWING		
				CAD FILE	C:/112/112965.DWG	