

Excellent Integrated System Limited

Stocking Distributor

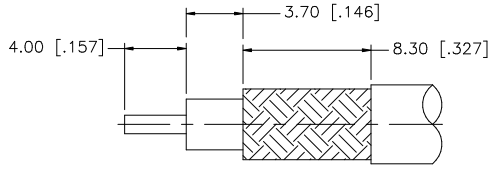
Click to view price, real time Inventory, Delivery & Lifecycle Information:

[Amphenol RF](#)
[112605](#)

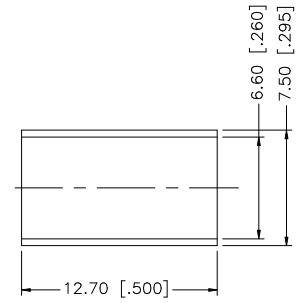
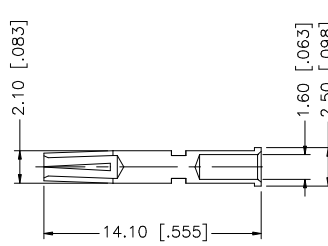
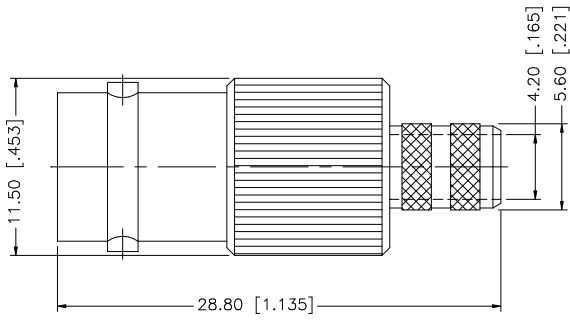
For any questions, you can email us directly:

sales@integrated-circuit.com

REV.	DATE	DESCRIPTION
NC	08/18/98	INITIAL RELEASE
A	01/08/07	UPDATE DRAWING FORMAT



RECOMMENDED
CABLE STRIPPING DIM'S



8					UNLESS OTHERWISE SPECIFIED DIMENSIONS ARE IN MILLIMETERS; DIMENSIONS IN [] ARE IN INCHES AND FOR CUSTOMER REFERENCE ONLY.	APPROVALS	DATE	Amphenol Connex				
7					UNLESS OTHERWISE SPECIFIED TOLERANCES FOR MILLIMETERS ARE: 0.5 - 8mm ± 0.20mm 8 - 30mm ± 0.40mm 30 - 120mm ± 0.50mm	DRAWN	G.R.S.					01/08/07
6					UNLESS OTHERWISE SPECIFIED TOLERANCES FOR INCHES ARE: .020 - .315 = ± 0.007" .315 - 1.180 = ± 0.015" 1.180 - 4.724 = ± 0.020"	CHECKED			PART NO. 112605			
5					DO NOT SCALE DRAWING	ISSUED						
4	FERRULE	COPPER	NICKEL	1		SHEET	1 OF 1		REV. A	SIZE A	SCALE NA	
3	CONTACT PIN	PHOS. BRONZE	GOLD	1		CAD FILE	C:/112/112605.DWG					
2	INSULATOR	TEFLON	NATURAL	1								
1	BODY	BRASS	NICKEL	1								
	DESCRIPTION	MATERIAL	FINISH	QTY								