

## **Excellent Integrated System Limited**

Stocking Distributor

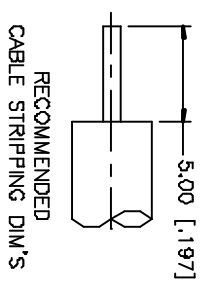
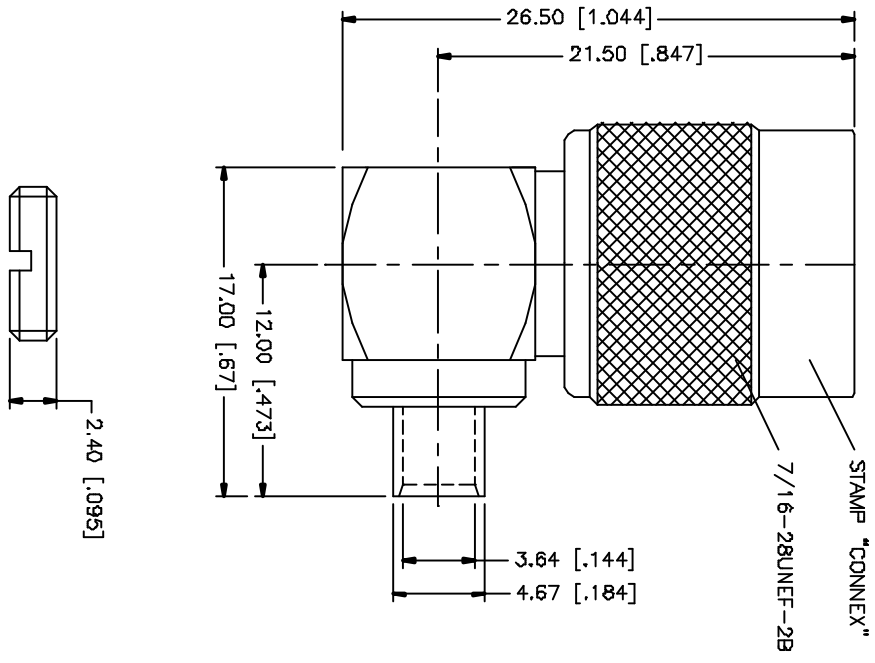
Click to view price, real time Inventory, Delivery & Lifecycle Information:

[Amphenol RF](#)  
[122422](#)

For any questions, you can email us directly:

[sales@integrated-circuit.com](mailto:sales@integrated-circuit.com)

REV.	DATE	DESCRIPTION
A	11/26/03	UPDATE DRAWING FORMAT
B	03/18/04	ADD COUPLING NUT UNDER PART DESCRIPTION



QTY	FINISH	MATERIAL	DESCRIPTION
1	NICKEL	BRASS	COUPLING NUT
1	GOLD	BRASS	CONTACT PIN
1	NATURAL	TEFLON	INSULATOR
1	GOLD	BRASS	BODY

UNLESS OTHERWISE SPECIFIED DIMENSIONS ARE IN MILLIMETERS (DIMENSIONS IN [ ] ARE IN INCHES AND FOR REFERENCE PURPOSES ONLY)	UNLESS OTHERWISE SPECIFIED DIMENSIONS ARE IN MILLIMETERS (DIMENSIONS IN [ ] ARE IN INCHES AND FOR REFERENCE PURPOSES ONLY)
TOLERANCES FOR UNLISTED DIMS	TOLERANCES FOR UNLISTED DIMS
0.5 - 8mm ± 0.20mm	0.5 - 8mm ± 0.20mm
8 - 30mm ± 0.40mm	8 - 30mm ± 0.40mm
30 - 120mm ± 0.50mm	30 - 120mm ± 0.50mm
UNLESS OTHERWISE SPECIFIED TOLERANCES FOR HIDDEN DIMS	UNLESS OTHERWISE SPECIFIED TOLERANCES FOR HIDDEN DIMS
0.20 - .315 = ± 0.007"	0.20 - .315 = ± 0.007"
.315 - 1.180 = ± 0.015"	.315 - 1.180 = ± 0.015"
1.180 - 4.724 = ± 0.020"	1.180 - 4.724 = ± 0.020"

APPROVALS	DATE
DRAWN G.R.S.	03/18/04
CHECKED	
ISSUED	
SHEET 1 OF 1	

PART NO.	REV. NO.	REV.	SIZE	SCALE
122422		B	A	NA

PART DESCRIPTION	DWG. NO.
TNC R/A DIRECT SOLDER PLUG (FOR .141" SEMI RIGID CABLE)	122422.DWG

CAD FILE
G:/122/122422.DWG