

Excellent Integrated System Limited

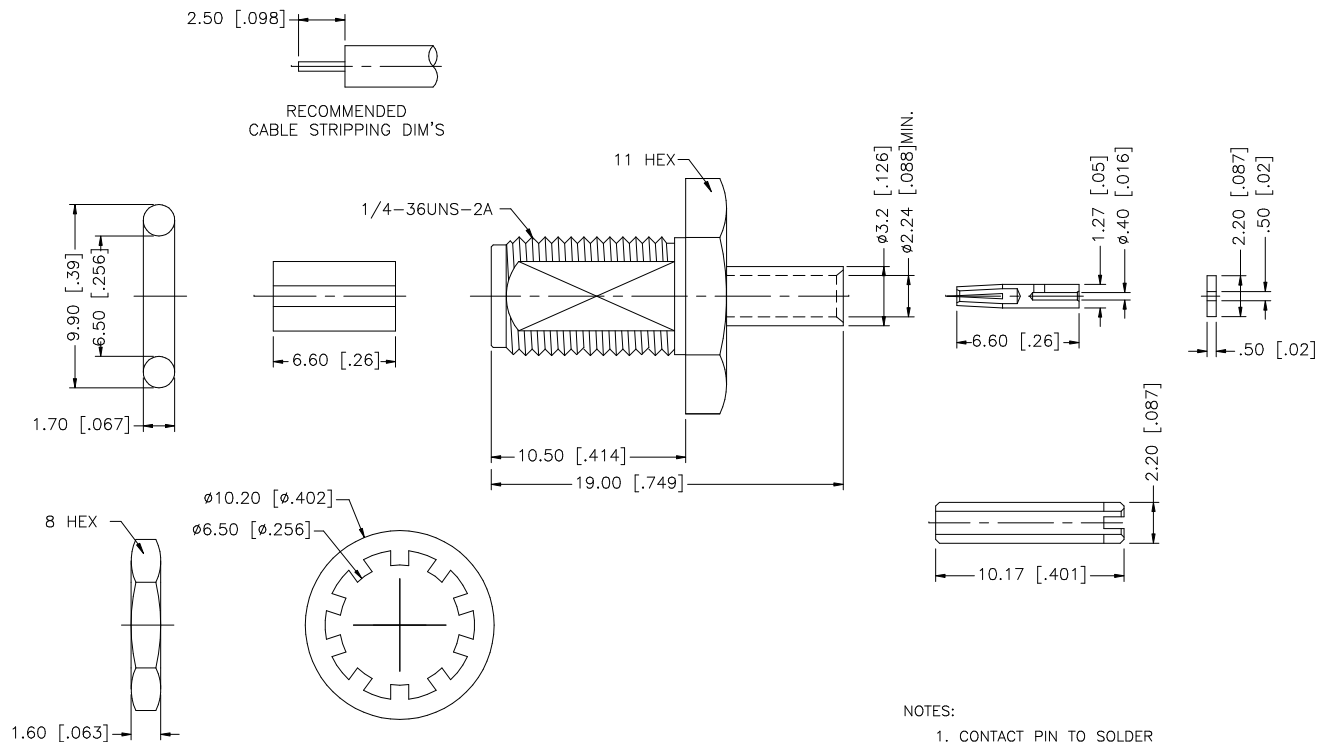
Stocking Distributor

Click to view price, real time Inventory, Delivery & Lifecycle Information:

[Amphenol RF](#)
[132251](#)

For any questions, you can email us directly:
sales@integrated-circuit.com

REV.	DATE	DESCRIPTION
A	11/12/03	MODIFY BODY LENGTH



- NOTES:
 1. CONTACT PIN TO SOLDER
 2. MAX. PANEL THICKNESS = 2.4mm

DESCRIPTION	MATERIAL	FINISH	QTY	DO NOT SCALE DRAWING	APPROVALS	DATE	<h1 style="color: blue; margin: 0;">Amphenol Connex</h1>			
8								SMA DIRECT SOLDER BULKHEAD JACK (FOR .047" SEMI RIGID CABLE) PART NO. 132251		
7	SOLDER NUT	BRASS	GOLD	1	DRAWN	G.R.S.	11/12/03			
6	HEX NUT	BRASS	GOLD	1	CHECKED					
5	LOCK WASHER	BRASS	GOLD	1	ISSUED					
4	GASKET	SILICONE	RED	1	SHEET	1 OF 1				
3	CONTACT PIN	BER. COPPER	GOLD	1						
2	INSULATOR	TEFLON	NATURAL	1						
1	BODY	BRASS	GOLD	1						
					CAD FILE	C:/132/132251.DWG	DWG. NO. 132251.DWG	REV. A	SIZE A	SCALE NA

UNLESS OTHERWISE SPECIFIED DIMENSIONS ARE IN MILLIMETERS. DIMENSIONS IN [] ARE IN INCHES AND FOR CUSTOMER REFERENCE ONLY.

UNLESS OTHERWISE SPECIFIED TOLERANCES FOR MILLIMETERS ARE:
 0.5 - 8mm ± 0.20mm
 8 - 30mm ± 0.40mm
 30 - 120mm ± 0.50mm

UNLESS OTHERWISE SPECIFIED TOLERANCES FOR INCHES ARE:
 .020 - .315 = ± 0.007"
 .315 - 1.180 = ± 0.015"
 1.180 - 4.724 = ± 0.020"