

Excellent Integrated System Limited

Stocking Distributor

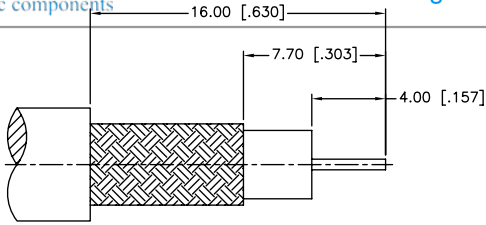
Click to view price, real time Inventory, Delivery & Lifecycle Information:

[Amphenol RF](#)
[122125](#)

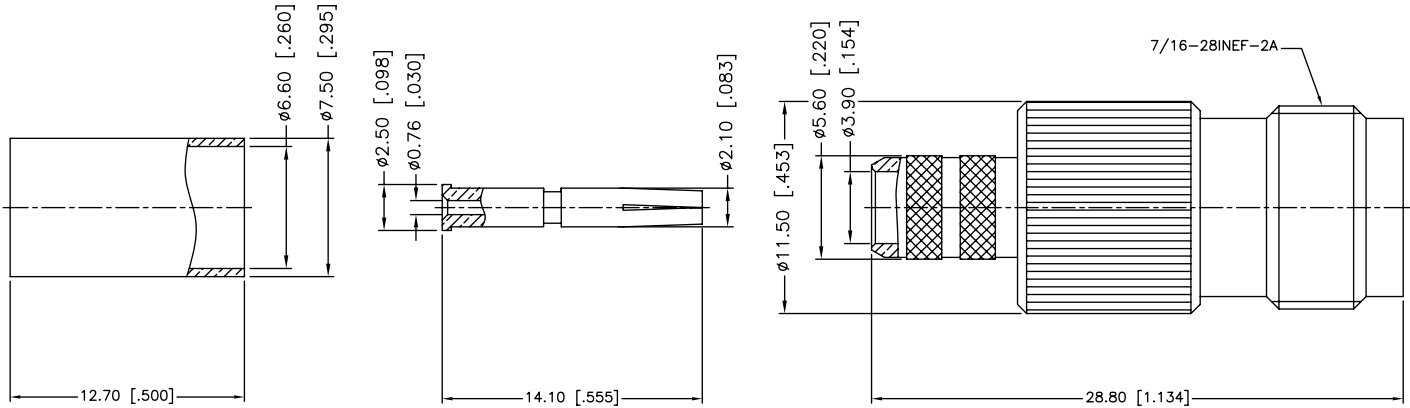
For any questions, you can email us directly:

sales@integrated-circuit.com

REV.	DATE	ECR NO.	DESCRIPTION
NC	06/23/10	XXXXXX	INITIAL RELEASE



RECOMMENDED
CABLE STRIPPING DIM'S



1. CRIMPED FERRULE
HEX CRIMP SIZE .255"
2. CRIMPED CONTACT PIN
HEX CRIMP SIZE .068"

UNLESS OTHERWISE SPECIFIED DIMENSIONS ARE IN MILLIMETERS. DIMENSIONS IN [] ARE IN INCHES AND FOR CUSTOMER REFERENCE ONLY.				APPROVALS	DATE	<h2 style="color: blue; margin: 0;">Amphenol Connex</h2>		
5	FERRULE	BRASS	NICKEL	1	DRAWN		M.ZHANG	06/23/10
4	CONTACT PIN	PHOSPHOR BRONZE	GOLD	1	CHECKED			
3	INSULATOR	DELTRIN	NATURAL	1	ISSUED			
2	BODY	BRASS	NICKEL	1	SHEET	1 OF 1		
1	HOUSING	BRASS	NICKEL	1	CAD FILE		C:/CONNEX/122125.DWG	
UNLESS OTHERWISE SPECIFIED TOLERANCES FOR MILLIMETERS ARE: 0.5 - 8mm ± 0.20mm 8 - 30mm ± 0.40mm 30 - 120mm ± 0.50mm UNLESS OTHERWISE SPECIFIED TOLERANCES FOR INCHES ARE: .020 - .315 = ± 0.007" .315 - 1.180 = ± 0.015" 1.180 - 4.724 = ± 0.020" DO NOT SCALE DRAWING				PART DESCRIPTION		TNC CRIMP JACK - 75 OHM (FOR RG-59/U CABLE)		
DESCRIPTION				PART NO.		122125		
				DWG. NO.	122125.DWG	REV.	NC	
				SIZE	A	SCALE	NA	