

Excellent Integrated System Limited

Stocking Distributor

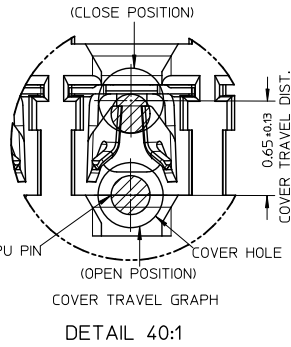
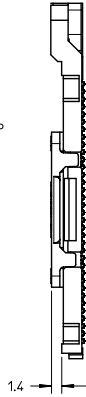
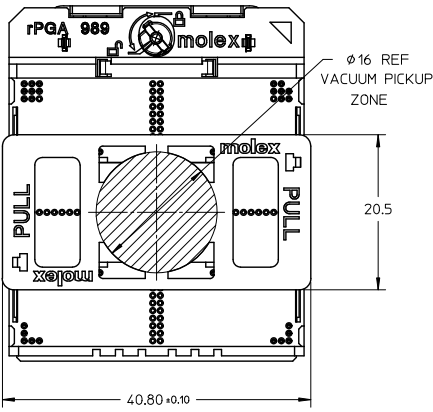
Click to view price, real time Inventory, Delivery & Lifecycle Information:

[Molex Connector Corporation](#)
[0479890222](#)

For any questions, you can email us directly:
sales@integrated-circuit.com

10 9 8 7 6 5 4 3 2 1

REMOVEABLE PICK & PLACE CAP

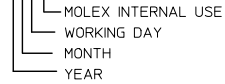


NOTES:

1) MATERIALS:

MOLDED COMPONENTS: LIQUID CRYSTAL POLYMER (LCP) UL 94V-0
 BASE HOUSING COLOR: BLACK
 COVER COLOR: NATURAL
 MYLAR(POLYIMIDE, COLOR:ORANGE) OR PnP COVER(LCP, COLOR: BLACK)
 FOR PICK & PLACE.
 CONTACTS: HIGH STRENGTH COPPER ALLOY
 PLATING: GOLD THICKNESS AS FOLLOWING TABLE 1-3 IN CONTACT AREA,
 1.3µm NICKEL OVERALL
 CAM COMPONENTS: STAINLESS STEEL
 SOLDER BALL: LEAD-FREE BALL SnAg3.0Cu0.5

2) DATE CODE *****



3) PRODUCT SPECIFICATION PS-47989-00* APPLIES

4) PACKAGING SPECIFICATION: PK-47989-001 (TAPE & REEL)
 PK-47989-002 (HARD TRAY)

REVISED EC NO: SH2011-0076 DRW: DRWNYAN CHKD: 2010/09/06 APPR: AYTN 2010/09/17	QUALITY SYMBOLS	GENERAL TOLERANCES (UNLESS SPECIFIED)	DIMENSION STYLE	SCALE	DESIGN UNITS	THIRD ANGLE PROJECTION
	▽=0	mm INCH	MM ONLY	2:1	METRIC	
	▽=0	4 PLACES ± --- ± ---	DRAWN BY DATE	TITLE		
	▽=0	3 PLACES ± --- ± ---	QWFANG 2008/04/25	RPGA989 SOCKET ASSEMBLY		
REV	DESCRIPTION	1 PLACE ± 0.20 ± ---	CHECKED BY DATE	APPROVED BY DATE		
B		ANGULAR ± 2 °	JKACHLIC 2008/05/29	MOLEX INCORPORATED		
		DRAFT WHERE APPLICABLE MUST REMAIN WITHIN DIMENSIONS	APPROVED BY DATE	MATERIAL NO.		DOCUMENT NO.
			CLANG 2008/05/29	SEE TABLE		SD-47989-001
				THIS DRAWING CONTAINS INFORMATION THAT IS PROPRIETARY TO MOLEX INCORPORATED AND SHOULD NOT BE USED WITHOUT WRITTEN PERMISSION		SHEET NO. 2 OF 6

9 8 7 6 5 4 3 2 1

10 9 8 7 6 5 4 3 2 1

PART NO. OF GF PLATING- TABLE 1

PART NUMBER	PICK UP TYPE		PACKAGE TYPE		PRODUCT SPEC.
	MYLAR	CAP	T&R	HARD TRAY	
47989-0110	◆			◆	PS-47989-002
47989-0120	◆		◆		
47989-0130		◆		◆	
47989-0140		◆	◆		
47989-0210	◆			◆	
47989-0220	◆		◆		
47989-0230		◆		◆	
47989-0240		◆	◆		

PART NO. OF 10u" MIN. GOLD PLATING- TABLE 2

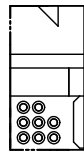
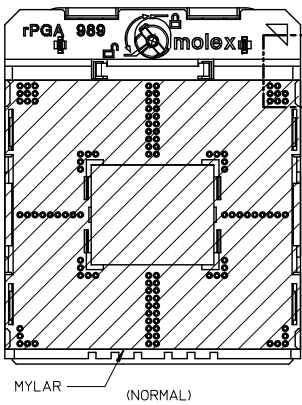
PART NUMBER	PICK UP TYPE		PACKAGE TYPE		PRODUCT SPEC.
	MYLAR	CAP	T&R	HARD TRAY	
47989-0111	◆			◆	PS-47989-003
47989-0121	◆		◆		
47989-0131		◆		◆	
47989-0141		◆	◆		
47989-0211	◆			◆	
47989-0221	◆		◆		
47989-0231		◆		◆	
47989-0241		◆	◆		

PART NO. OF 15u" MIN. GOLD PLATING- TABLE 3

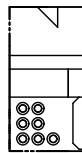
PART NUMBER	PICK UP TYPE		PACKAGE TYPE		PRODUCT SPEC.
	MYLAR	CAP	T&R	HARD TRAY	
47989-0112	◆			◆	PS-47989-001
47989-0122	◆		◆		
47989-0132		◆		◆	
47989-0142		◆	◆		
47989-0212	◆			◆	
47989-0222	◆		◆		
47989-0232		◆		◆	
47989-0242		◆	◆		

SOCKET KEYING OPTIONS

MYLAR PICK & PLACE OPTION



rPGA989
47989-01**

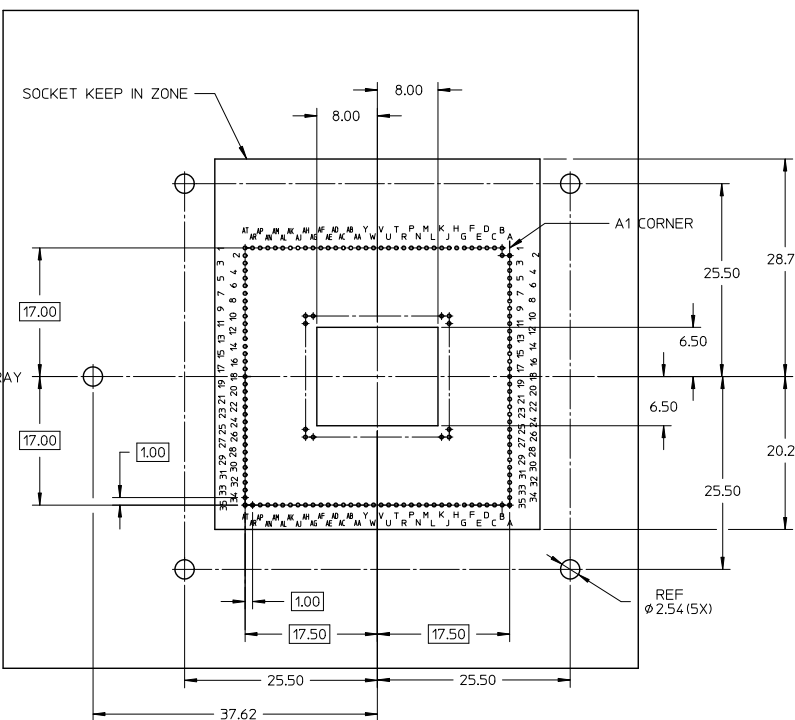


rPGA988A
47989-02**

REVISED EC NO: SH2011-0076 DRAWN BY: DINGWENZYUAN CHKD: 2010/09/06 APPR: AYIN 2010/09/17	QUALITY SYMBOLS √=0 √=0 √=0	GENERAL TOLERANCES (UNLESS SPECIFIED)		DIMENSION STYLE MM ONLY		SCALE 2:1	DESIGN UNITS METRIC	THIRD ANGLE PROJECTION	
		4 PLACES ± --- ± ---	3 PLACES ± --- ± ---	2 PLACES ± 0.10 ± ---	1 PLACE ± 0.20 ± ---	DRAWN BY: QWFANG DATE: 2008/04/25	TITLE RPGA989 SOCKET ASSEMBLY		
		ANGULAR ± 2 °		DRAFT WHERE APPLICABLE MUST REMAIN WITHIN DIMENSIONS		CHECKED BY: JKACHLIC DATE: 2008/05/29	APPROVED BY: CL IANG DATE: 2008/05/29		
		MATERIAL NO. SEE TABLE		INCORPORATED AND SHOULD NOT BE USED WITHOUT WRITTEN PERMISSION		MOLEX INCORPORATED		DOCUMENT NO. SD-47989-001	SHEET NO. 3 OF 6

9 8 7 6 5 4 3 2 1

10 9 8 7 6 5 4 3 2 1



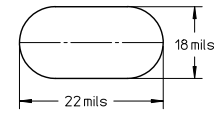
NOTES:

shape pada of PCB are recommended

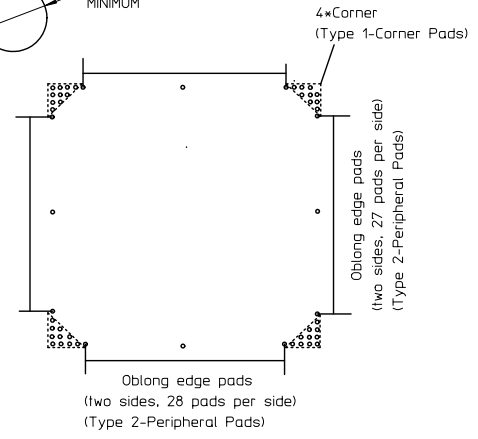
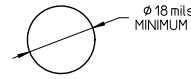
TYPE1-Corner Pads



TYPE2-Peripheral Pads(Oblong-shape pada are recommended)



TYPE3-All Other Location Except for those of Type1 and Type2 Locations)



MOTHERBOARD KEEP IN ZONE (KIZ)
(FOR NORMAL)

REVISED EC NO. SH2011-0076 DRAWN BY CHKD: APPR:AYIN	DESCRIPTION 2010/09/03 2010/09/06 2010/09/17	QUALITY SYMBOLS ▽=0 ▽=0 ▽=0	GENERAL TOLERANCES (UNLESS SPECIFIED)		DIMENSION STYLE MM ONLY		SCALE	DESIGN UNITS METRIC	THIRD ANGLE PROJECTION
			4 PLACES ± --- ± ---	3 PLACES ± --- ± ---	2 PLACES ± 0.10 ± ---	1 PLACE ± 0.20 ± ---	ANGULAR ± 2 °	DRAWN BY QWFANG	
DRAFT WHERE APPLICABLE MUST REMAIN WITHIN DIMENSIONS			MATERIAL NO. SEE TABLE		APPROVED BY CLIANG		DATE 2008/05/29	DOCUMENT NO. SD-47989-001	SHEET NO. 4 OF 6

9 8 7 6 5 4 3 2 1

10 9 8 7 6 5 4 3 2 1

PART NO. OF GF PLATING- TABLE 1

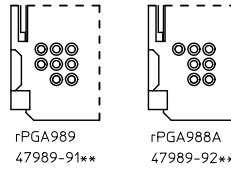
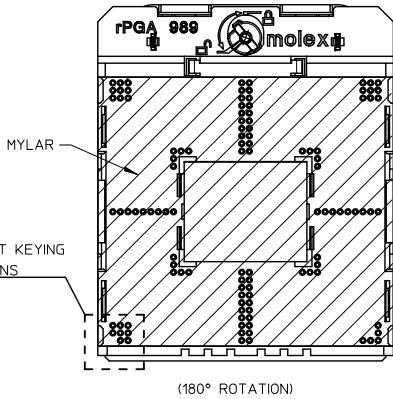
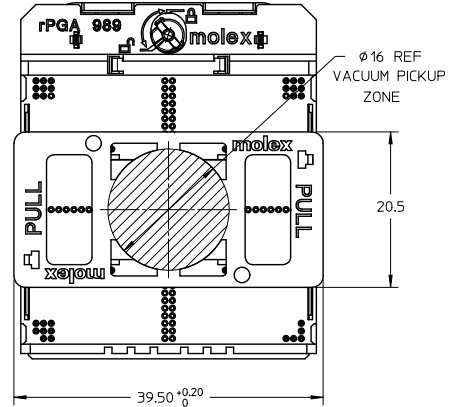
PART NUMBER	PICK UP TYPE		PACKAGE TYPE		PRODUCT SPEC.
	MYLAR	CAP	T&R	HARD TRAY	
47989-9110	◆			◆	PS-47989-002
47989-9120	◆		◆		
47989-9130		◆		◆	
47989-9140		◆	◆		
47989-9210	◆			◆	
47989-9220	◆		◆		
47989-9230		◆		◆	
47989-9240		◆	◆		

PART NO. OF 10u" MIN. GOLD PLATING- TABLE 2

PART NUMBER	PICK UP TYPE		PACKAGE TYPE		PRODUCT SPEC.
	MYLAR	CAP	T&R	HARD TRAY	
47989-9111	◆			◆	PS-47989-003
47989-9121	◆		◆		
47989-9131		◆		◆	
47989-9141		◆	◆		
47989-9211	◆			◆	
47989-9221	◆		◆		
47989-9231		◆		◆	
47989-9241		◆	◆		

PART NO. OF 15u" MIN. GOLD PLATING- TABLE 3

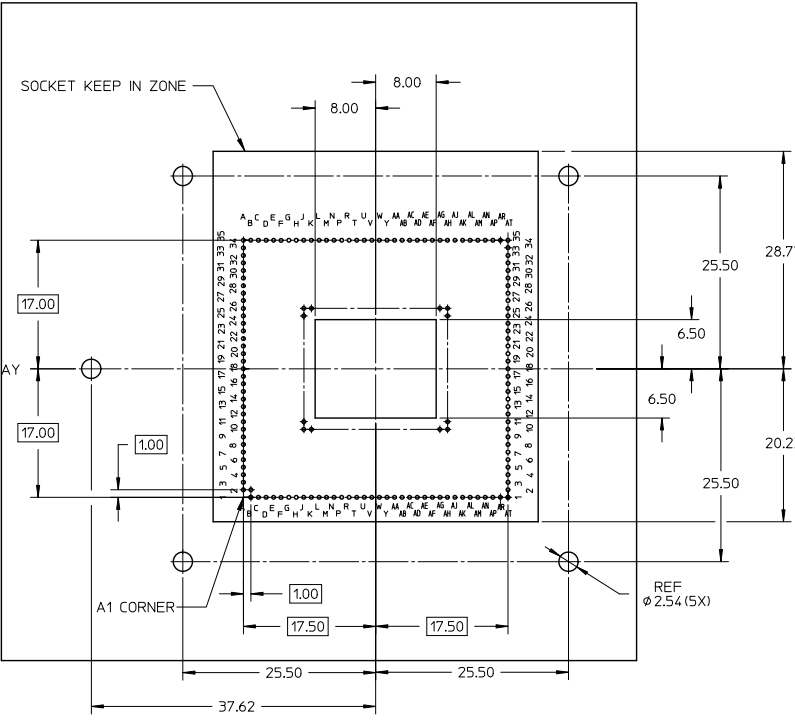
PART NUMBER	PICK UP TYPE		PACKAGE TYPE		PRODUCT SPEC.
	MYLAR	CAP	T&R	HARD TRAY	
47989-9112	◆			◆	PS-47989-001
47989-9122	◆		◆		
47989-9132		◆		◆	
47989-9142		◆	◆		
47989-9212	◆			◆	
47989-9222	◆		◆		
47989-9232		◆		◆	
47989-9242		◆	◆		



REVISED EC NO: SH2011-0076 DRAWN: ZHANYAN CHKD: 2010/09/06 APPR: AYIN 2010/09/07	QUALITY SYMBOLS √=0 ∇=0 ∇=0	GENERAL TOLERANCES (UNLESS SPECIFIED)		DIMENSION STYLE MM ONLY		SCALE 2:1	DESIGN UNITS METRIC	THIRD ANGLE PROJECTION		
		4 PLACES ± --- ± --- 3 PLACES ± --- ± --- 2 PLACES ± 0.10 ± --- 1 PLACE ± 0.20 ± --- ANGULAR ± 2 °	mm INCH ± --- ± --- ± --- ± --- ± --- ± --- ± --- ± ---	DRAWN BY QWFANG DATE 2008/04/25	CHECKED BY JKACHLIC DATE 2008/05/29	TITLE RPGA989 SOCKET ASSEMBLY				
		DRAFT WHERE APPLICABLE MUST REMAIN WITHIN DIMENSIONS		APPROVED BY CL IANG DATE 2008/05/29	MATERIAL NO. SEE TABLE		MOLEX INCORPORATED		DOCUMENT NO. SD-47989-001	SHEET NO. 5 OF 6
		THIS DRAWING CONTAINS INFORMATION THAT IS PROPRIETARY TO MOLEX INCORPORATED AND SHOULD NOT BE USED WITHOUT WRITTEN PERMISSION								

9 8 7 6 5 4 3 2 1

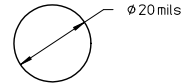
10 9 8 7 6 5 4 3 2 1



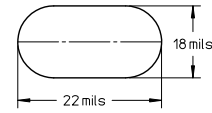
MOTHERBOARD KEEP IN ZONE (KIZ)
(FOR 180° ROTATION)

NOTES:
shape pada of PCB are recommended

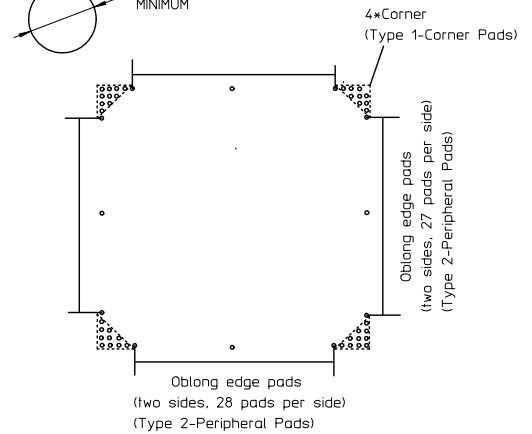
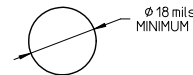
TYPE1-Corner Pads $\phi 20\text{mils}$



TYPE2-Peripheral Pads(Oblong-shape pada are recommended)



TYPE3-All Other Location Except for those of Type1 and Type2 Locations)



REVISED IEC NO: SH2011-0076 2010/09/03 DRW:ZYXIAN 2010/09/06 CHKD: APPR:ATIN 2010/09/17	QUALITY SYMBOLS $\nabla=0$ $\nabla=0$ $\nabla=0$	GENERAL TOLERANCES (UNLESS SPECIFIED)		DIMENSION STYLE		SCALE	DESIGN UNITS	THIRD ANGLE PROJECTION	
				MM ONLY		2:1	METRIC		
				mm	INCH	DRAWN BY	DATE		TITLE
				4 PLACES \pm ---	\pm ---	QWFANG	2008/04/25		RPGA989 SOCKET ASSEMBLY
B CHKD: APPR:ATIN	DESCRIPTION REV			CHECKED BY	DATE	MOLEX INCORPORATED			
				2 PLACES ± 0.10	\pm ---	JKACHLIC	2008/05/29	MOLEX INCORPORATED	
				1 PLACE ± 0.20	\pm ---	APPROVED BY	DATE	SD-47989-001	
				ANGULAR $\pm 2^\circ$		CLIANG	2008/05/29	SHEET NO. 6 OF 6	
		DRAFT WHERE APPLICABLE MUST REMAIN WITHIN DIMENSIONS		MATERIAL NO.		DOCUMENT NO.			
				SEE TABLE					
				SIZE					
				A3					
				THIS DRAWING CONTAINS INFORMATION THAT IS PROPRIETARY TO MOLEX INCORPORATED AND SHOULD NOT BE USED WITHOUT WRITTEN PERMISSION					

9 8 7 6 5 4 3 2 1