

Excellent Integrated System Limited

Stocking Distributor

Click to view price, real time Inventory, Delivery & Lifecycle Information:

[Molex Connector Corporation](#)
[0511930600](#)

For any questions, you can email us directly:

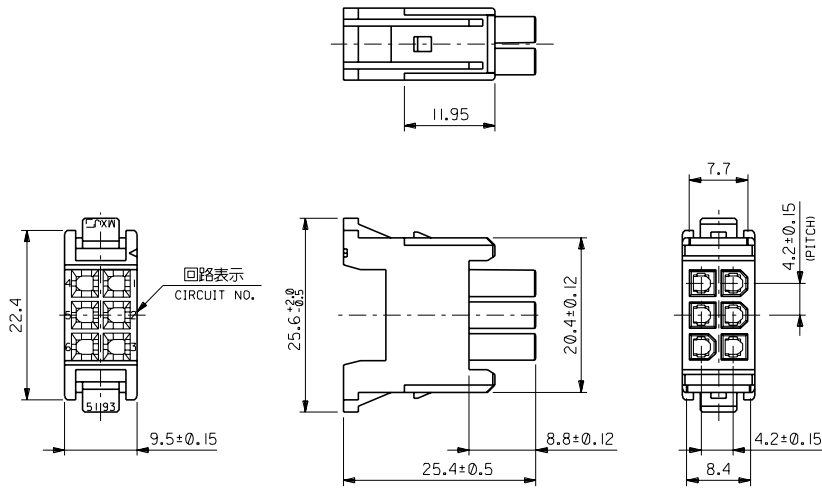
sales@integrated-circuit.com

DWG. NO.
SD-51193-002

DO NOT SCALE DRAWING

8 7 6 5 4 3 2

EN-02J(097) MXJ-54



- 注記:
NOTES:
1. 適用ターミナル : 5556****.
APPLICATION TERMINAL
 2. 指定公差 : ±0.2.
UNSPECIFIED DIMENSION TOLERANCE

EC NO. DRWN: CHK: APPR:	EC NO. DRWN: CHK: APPR:	EC NO. DRWN: CHK: APPR:	REVISED EC NO. JD190675-98/11/06 DRWN: Y. TETSUKA CHK: SAKYAMA/YOJITO APPR: HIKESUGI	RELEASED EC NO. JD81452-98/08/22 DRWN: M. HOSONO CHK: Y. ITO APPR: HIKESUGI	DESCRIPTION
8	7	6	A	0	MATERIAL 材料 ガラス入ナイロン66 UL94V-0 色: 自然色
					FINISH 仕上げ
					WIRE RANGE 適用電線範囲
					INS. RANGE 被覆外径

51193-0600		51193-0600	
MATERIAL NO.		MODEL NO.	
DIMENSIONS:		SHT REV	
<input type="checkbox"/> mm	<input type="checkbox"/> INCH	<input checked="" type="checkbox"/> mm	<input type="checkbox"/> INCH
THIRD ANGLE PROJECTION		REVISE ON CAD ONLY	
SCALE 2-1		DESIGN UNITS <input checked="" type="checkbox"/> mm <input type="checkbox"/> INCH	
DRAWN BY & DATE M. HOSONO '98/04/22		CHECKED BY & DATE Y. ITO '98/04/22	
APPROVED BY & DATE M. HOSONO '98/04/22		TITLE: POWER CONN SOCKET HOUSING (6P)	
CAD FILENAME 51193002.S01		MATERIAL NO. SEE CHART	
DRAWING NO. SD-51193-002		SHEET NO. 1 OF 1	
THIS DRAWING CONTAINS INFORMATION THAT IS PROPRIETARY TO MOLEX INCORPORATED AND SHOULD NOT BE USED WITHOUT WRITTEN PERMISSION.			
MOLEX MOLEX INCORPORATED			

SIZE B